

DCF

252100-LD

Ø252x100mm(Ø9.84"x3.9")



IMPELLER	Metal
BEARING	Ball
INSULATION	Class F
OPERATING TEMPERATURE	-25°C to + 60°
DIELECTRIC STRENGTH	5mA Max. at 500 VAC for 1 minute
INSULATION RESISTANCE	10M Ω min. @500 VDC
WEIGHT	2.3 kgs
ROHS COMPLIANCE	Yes
IP LEVEL	IP44 (Special IP Rating On Request)

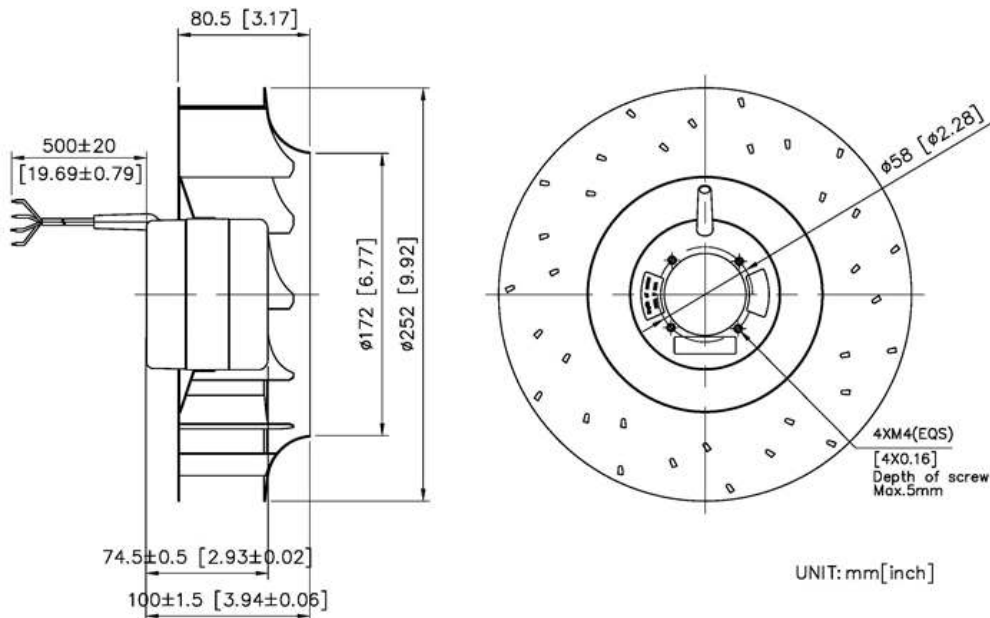
252

 mm

SPECIFICATION

MODEL NO.	RATED VOLTAGE(V)	RATED CURRENT(A)	INPUT POWER(W)	SPEED (RPM)	MAX. AIR PRESSURE		MAX. AIR FLOW		NOISE dB(A) @1M
					inchH2O	mmH2O	CFM	m3/min	
DCF252100V24HB-LD	24	5.0	120	2500	2.13	54.05	765	21.67	69
DCF252100V48HB-LD	48	2.5	120	2500	2.13	54.05	765	21.67	69

DIMENSION



AIR PERFORMANCE

