

DCF

280105-LD

Ø280x105mm(Ø11.02"x4.1")



IMPELLER	Metal
BEARING	Ball
INSULATION	Class F
OPERATING TEMPERATURE	-25°C to + 60°
DIELECTRIC STRENGTH	5mA Max. at 500 VAC for 1 minute
INSULATION RESISTANCE	10M Ω min. @500 VDC
WEIGHT	2.9 kgs
ROHS COMPLIANCE	Yes
IP LEVEL	IP44 (Special IP Rating On Request)

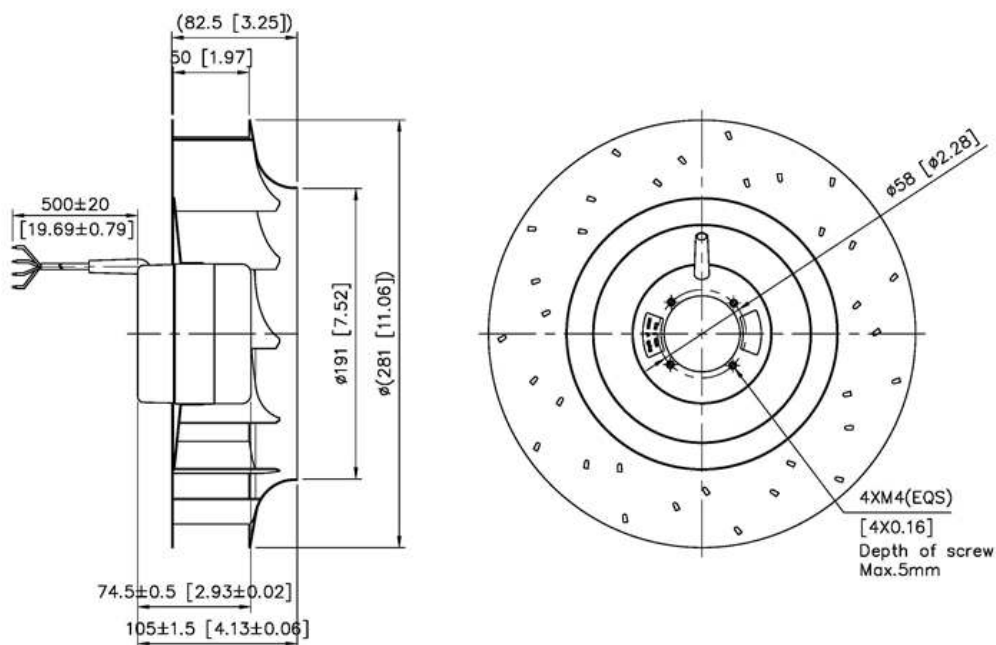
280

mm

SPECIFICATION

MODEL NO.	RATED VOLTAGE(V)	RATED CURRENT(A)	INPUT POWER(W)	SPEED (RPM)	MAX. AIR PRESSURE		MAX. AIR FLOW		NOISE dB(A) @1M
					inchH2O	mmH2O	CFM	m3/min	
DCF280105V48HB-LD	48	2.3	105	2200	1.89	47.93	824	23.34	70
DCF280105V24HB-LD	24	4.6	105	2200	1.89	47.93	824	23.34	70

DIMENSION



UNIT: mm[inch]

SYMBANG

AIR PERFORMANCE

