

D

9232D-DX

92x92x32mm(3.62"x3.62"x1.26")



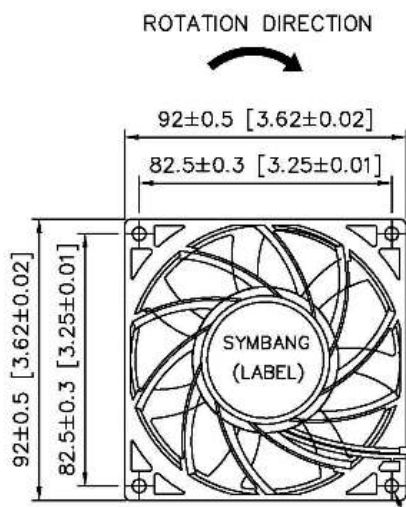
HOUSING	Thermoplastic PBT, UL94V-0
IMPELLER	Thermoplastic PBT, UL94V-0
BEARING	Ball, Sleeve
OPERATING TEMPERATURE	-10°C to + 70°C
DIELECTRIC STRENGTH	5mA Max. at 500 VAC for 1 second
INSULATION RESISTANCE	10M Ω min. @500 VDC
WEIGHT	335 g
ROHS COMPLIANCE	Yes
IP LEVEL	Special IP Rating On Request

92mm

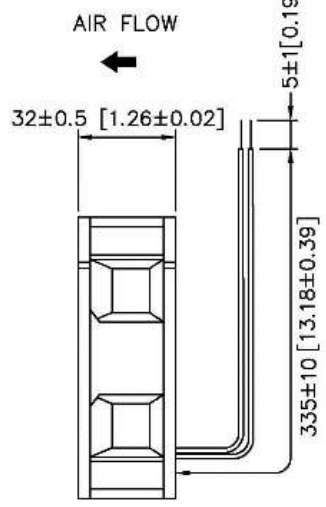
SPECIFICATION

MODEL NO.	RATED VOLTAGE(V)	RATED CURRENT(A)	INPUT POWER(W)	SPEED (RPM)	MAX. AIR PRESSURE		MAX. AIR FLOW		NOISE dB(A) @1M
					inchH2O	mmH2O	CFM	m3/min	
D9232V48LBD-DX	48	0.11	5.28	3500	0.29	7.25	67.69	1.92	40.3
D9232V48MBD-DX	48	0.18	8.64	4500	0.47	11.99	87.03	2.46	45.8
D9232V48HBD-DX	48	0.30	14.40	5500	0.70	17.91	106.37	3.01	51.9
D9232V24LBD-DX	24	0.22	5.28	3500	0.29	7.25	67.69	1.92	40.3
D9232V24MBD-DX	24	0.37	8.88	4500	0.47	11.99	87.03	2.46	45.8
D9232V24HBD-DX	24	0.60	14.40	5500	0.70	17.91	106.37	3.01	51.9
D9232V12LBD-DX	12	0.44	5.28	3500	0.29	7.25	67.69	1.92	40.3
D9232V12MBD-DX	12	0.74	8.88	4500	0.47	11.99	87.03	2.46	45.8
D9232V12HBD-DX	12	1.20	14.40	5500	0.70	17.91	106.37	3.01	51.9

DIMENSION



4x∅4.4±0.3
[4x0.17±0.01]



UNIT: mm[inch]

AIR PERFORMANCE

