

# DB

# 4510-TK

45x45x10mm(1.77"x1.77"x0.39") **CE**



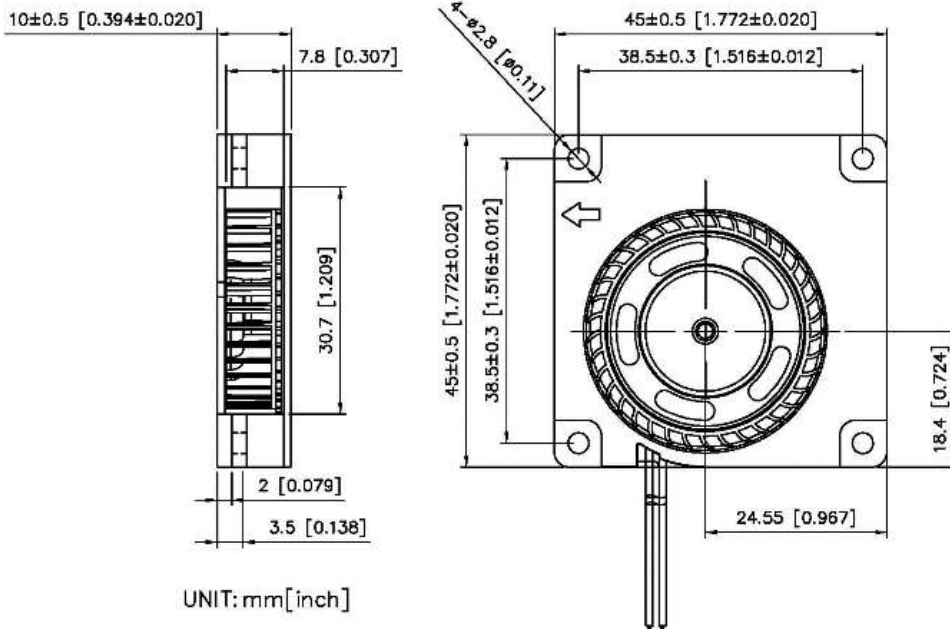
HOUSING Thermoplastic PBT, UL94V-0  
IMPELLER Thermoplastic PBT, UL94V-0  
BEARING Ball  
OPERATING TEMPERATURE -30°C to + 70°C  
DIELECTRIC STRENGTH 5mA Max. at 500 VAC for 1 minute  
INSULATION RESISTANCE 10M  $\Omega$  min. @500 VDC  
WEIGHT 16 g  
ROHS COMPLIANCE Yes  
IP LEVEL IP21 (Special IP Rating On Request)

# 45 mm

## SPECIFICATION

MODEL NO.	RATED VOLTAGE(V)	RATED CURRENT(A)	INPUT POWER(W)	SPEED (RPM)	MAX. AIR PRESSURE		MAX. AIR FLOW		NOISE dB(A) @1M
					inchH2O	mmH2O	CFM	m3/min	
DB4510V5HB-TK	5	0.50	3.00	8500	0.92	23.3	3.70	0.11	41.8
DB4510V12HB-TK	12	0.21	2.50	8500	0.92	23.3	3.70	0.11	41.8

## DIMENSION



## AIR PERFORMANCE

