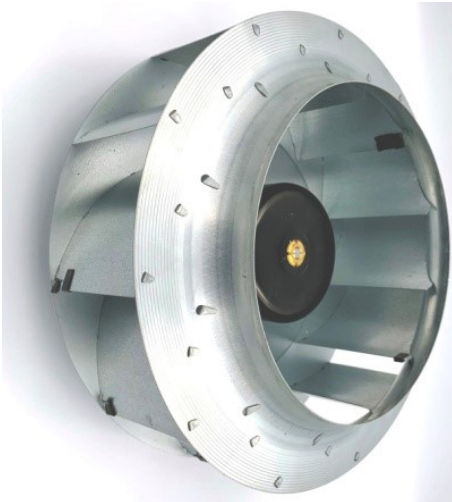


ECF

280154-Y

Ø280x154mm(Ø11.02"x6.06")



HOUSING	Die-casting Aluminum
IMPELLER	Class fiber-reinforced polypropylene
BEARING	Ball
INSULATION	Class B
OPERATING TEMPERATURE	-25°C to + 60°C
INSULATION RESISTANCE	10M Ω min. @500 VDC
DIELECTRIC STRENGTH	5mA Max. at 500 VAC for 1 minute
WEIGHT	2658g
ROHS COMPLIANCE	Yes
IP LEVEL	IP65(Special IP Rating On Request)

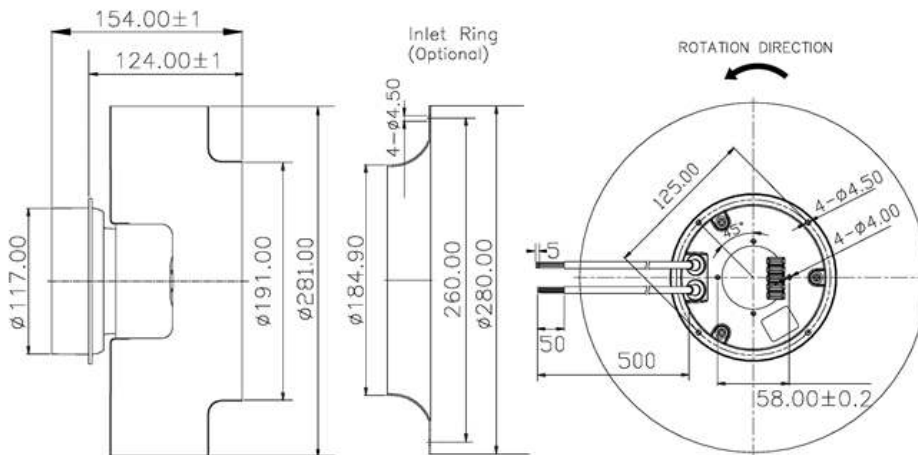
280

 mm

SPECIFICATION

MODEL NO.	RATED VOLTAGE(V)	RATED CURRENT(A)	INPUT POWER(W)	SPEED (RPM)	MAX. AIR PRESSURE		MAX. AIR FLOW		NOISE dB(A) @1M
					inchH2O	mmH2O	CFM	m3/min	
ECF280154V2HB-Y	230	1.40	160.0	2100	2.50	63.4	1322.0	37.41	71.5

DIMENSION



UNIT: mm

AIR PERFORMANCE

