

ACF

17569-DQ

Ø175x69mm (Ø6.89"x2.72")



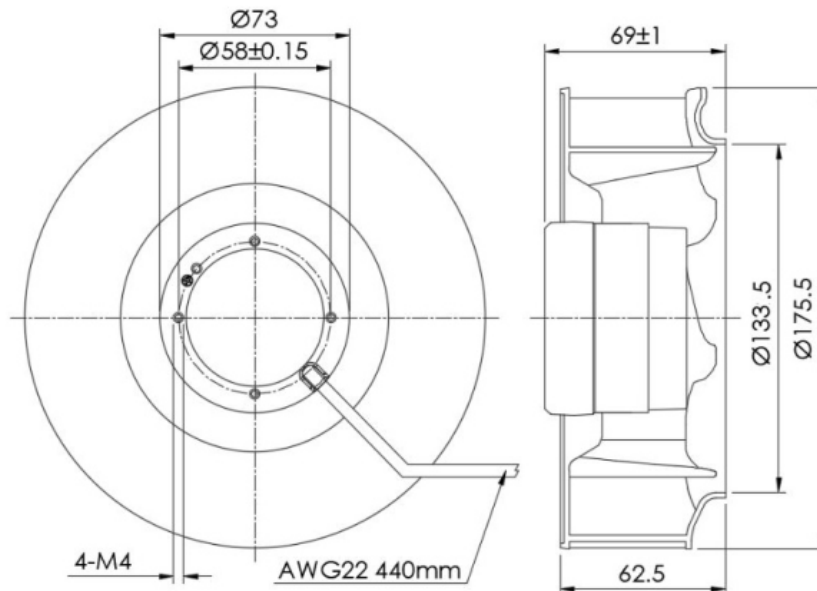
IMPELLER	Plastic
BEARING	Ball
INSULATION	Class F
TERMINATION	Lead Wire
OPERATING TEMPERATURE	-20°C to + 70°C
DIELECTRIC STRENGTH	10M Ω min. @500 VDC
INSULATION RESISTANCE	1800 VAC 1.0mA for 1 Sec
MOTOR TYPE	AC Induction Capacitor Motor
WEIGHT	850 g
ROHS COMPLIANCE	Yes
IP LEVEL	IP54 (Special IP Rating On Request)

175 mm

SPECIFICATION

MODEL NO.	RATED VOLTAGE(V)	RATED CURRENT(A)	INPUT POWER(W)	SPEED (RPM)	MAX. AIR PRESSURE		MAX. AIR FLOW		NOISE dB(A) @1M
					inchH2O	mmH2O	CFM	m3/min	
ACF17569V3SL2P-DQ	380	0.13/0.15	48/55	2600/2600	1.18/1.18	30/30	300/300	8.48/8.48	66/66
ACF17569V2SL2P-DQ	230	0.22/0.28	50/64	2600/2850	1.18/1.57	30/40	300/320	8.48/9.05	66/68

DIMENSION



Unit : mm

AIR PERFORMANCE

