

AA

235242-SA

Ø235x242mm(Ø9.25"x9.53")



HOUSING	Aluminum-Alloy Die Castings ADC12
IMPELLER	Aluminum-Alloy Die Castings ADC12
BEARING	Ball
OPERATING TEMPERATURE	-55°C to +85°C
DIELECTRIC STRENGTH	5mA Max. at 500 VAC for 1 minute
INSULATION RESISTANCE	10M Ω min. @500 VDC
WEIGHT	7.5 kg
ROHS COMPLIANCE	Yes
IP LEVEL	Special IP Rating On Request

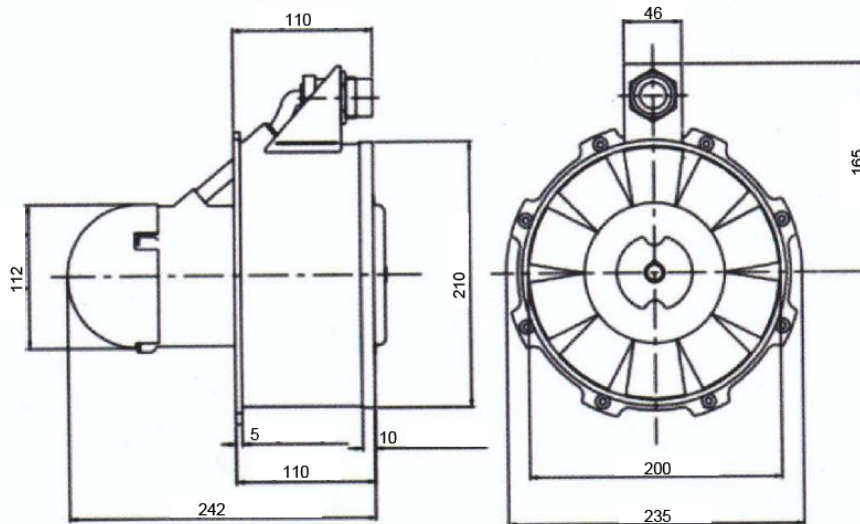
235

 mm

SPECIFICATION

MODEL NO.	RATED VOLTAGE(V)	RATED CURRENT(A)	INPUT POWER(W)	SPEED (RPM)	MAX. AIR PRESSURE		MAX. AIR FLOW		NOISE dB(A) @1M
					inchH2O	mmH2O	CFM	m3/min	
AA235242V2M-SA	200	18.8	4850	11500	13.57	344.5	2880	82.08	90
AA235242V2H-SA	200	39	5430	11500	19.63	498.1	3202	91.257	105

DIMENSION



Unit :mm

AIR PERFORMANCE

