

AA

8239-SA

CE
Ø82x39mm(Ø3.23"x1.54")



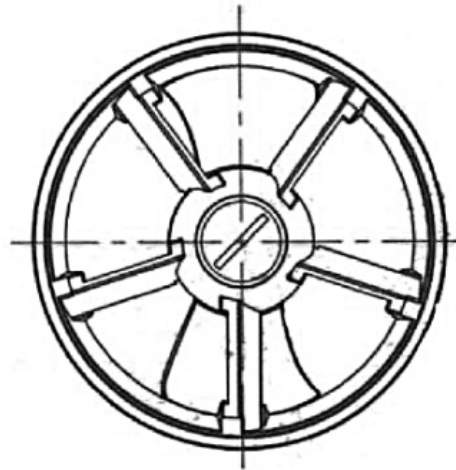
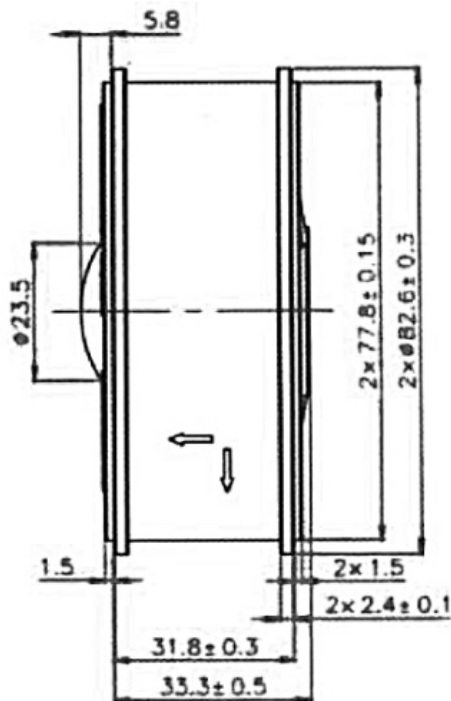
HOUSING Aluminum-Alloy Die Castings ADC12
IMPELLER Aluminum-Alloy Die Castings ADC12
BEARING Ball
OPERATING TEMPERATURE -55°C to +85°C
DIELECTRIC STRENGTH 5mA Max. at 500 VAC for 1 minute
INSULATION RESISTANCE 10M Ω min. @500 VDC
WEIGHT 400 g
ROHS COMPLIANCE Yes
IP LEVEL Special IP Rating On Request

82mm

SPECIFICATION

MODEL NO.	RATED VOLTAGE(V)	RATED CURRENT(A)	INPUT POWER(W)	SPEED (RPM)	MAX. AIR PRESSURE		MAX. AIR FLOW		NOISE dB(A) @1M
					inchH2O	mmH2O	CFM	m3/min	
AA8239V1H-SA	115	0.11	13.5	10700	0.99	25.1	60	1.7	59

DIMENSION



Unit : mm

AIR PERFORMANCE

