

AA

7663-SA

Ø76x63mm(Ø2.99"x2.48")



| | |
|-----------------------|-----------------------------------|
| HOUSING | Aluminum-Alloy Die Castings ADC12 |
| IMPELLER | Aluminum-Alloy Die Castings ADC12 |
| BEARING | Ball |
| OPERATING TEMPERATURE | -55°C to +85°C |
| DIELECTRIC STRENGTH | 5mA Max. at 500 VAC for 1 minute |
| INSULATION RESISTANCE | 10M Ω min. @500 VDC |
| WEIGHT | 420 g |
| ROHS COMPLIANCE | Yes |
| IP LEVEL | Special IP Rating On Request |

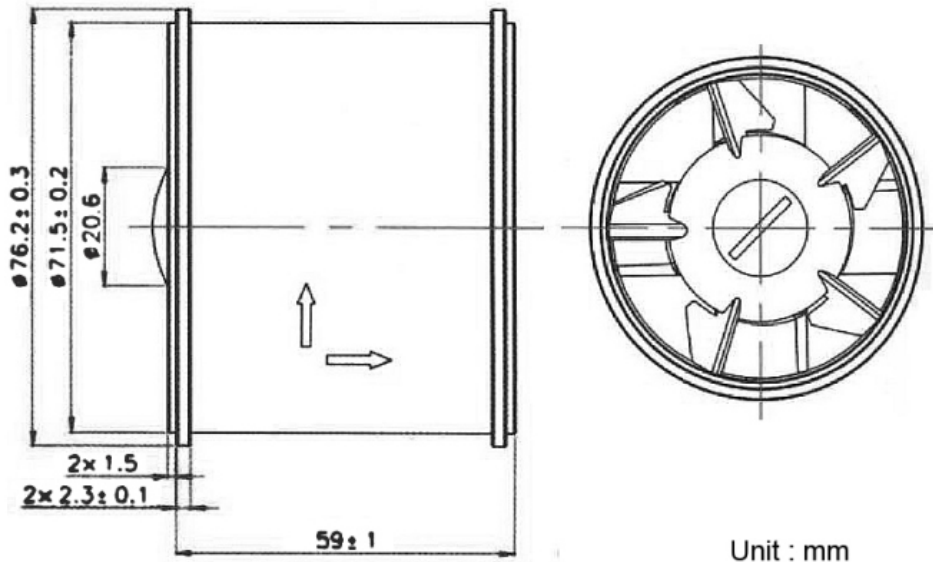
76

mm

SPECIFICATION

| MODEL NO. | RATED VOLTAGE(V) | RATED CURRENT(A) | INPUT POWER(W) | SPEED (RPM) | MAX. AIR PRESSURE | | MAX. AIR FLOW | | NOISE dB(A) @1M |
|--------------|------------------|------------------|----------------|-------------|-------------------|-------|---------------|--------|-----------------|
| | | | | | inchH2O | mmH2O | CFM | m3/min | |
| AA7663V2M-SA | 200 | 0.2 | 31 | 11600 | 1.21 | 30.6 | 79 | 2.24 | 42 |
| AA7663V2H-SA | 200 | 0.4 | 135 | 22000 | 4.46 | 113.1 | 152.85 | 4.33 | 81.8 |
| AA7663V1H-SA | 115 | 0.9 | 90 | 17000 | 3.12 | 79.1 | 125 | 3.54 | 53 |

DIMENSION



AIR PERFORMANCE

