

# AA

# 4441-SA

Ø44x41mm(Ø1.73"x1.61")



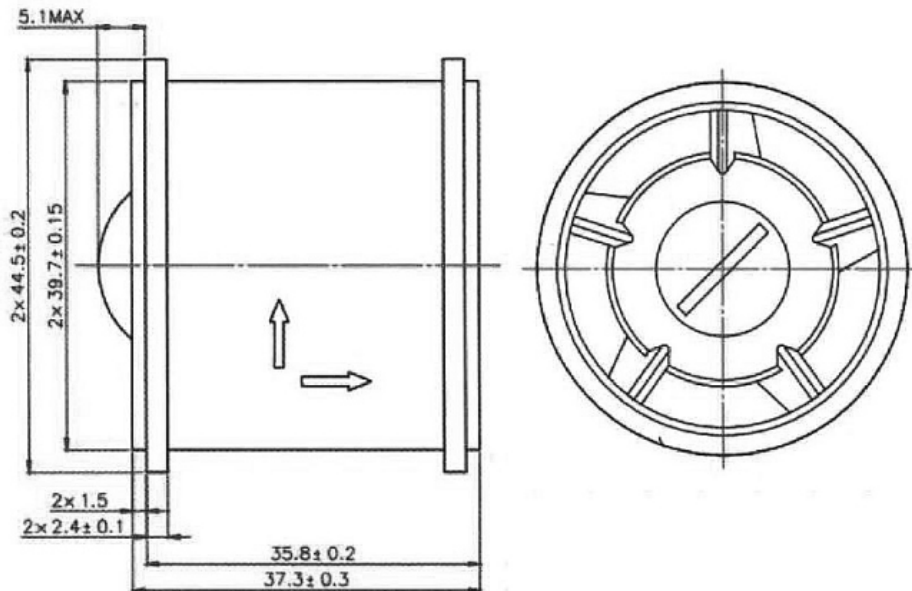
HOUSING	Aluminum-Alloy Die Castings ADC12
IMPELLER	Aluminum-Alloy Die Castings ADC12
BEARING	Ball
OPERATING TEMPERATURE	-55°C to +85°C
DIELECTRIC STRENGTH	5mA Max. at 500 VAC for 1 minute
INSULATION RESISTANCE	10M Ω min. @500 VDC
WEIGHT	130 g
ROHS COMPLIANCE	Yes
IP LEVEL	Special IP Rating On Request

# 44mm

## SPECIFICATION

MODEL NO.	RATED VOLTAGE(V)	RATED CURRENT(A)	INPUT POWER(W)	SPEED (RPM)	MAX. AIR PRESSURE		MAX. AIR FLOW		NOISE dB(A) @1M
					inchH2O	mmH2O	CFM	m3/min	
AA4441V1H-SA	115	0.07	7.5	11000	0.42	10.67	10.2	1.54	54.5

## DIMENSION



Unit : mm

## AIR PERFORMANCE

