

# AD

# 8242-SA

Ø82x42mm(Ø3.23"x1.65")



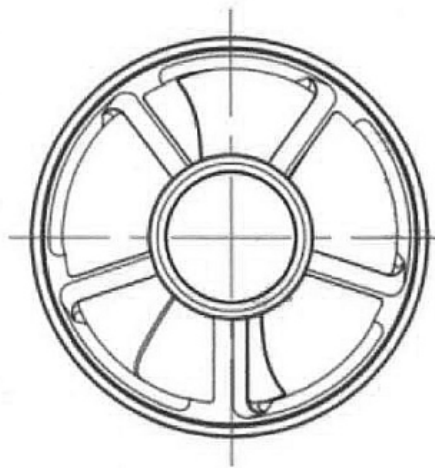
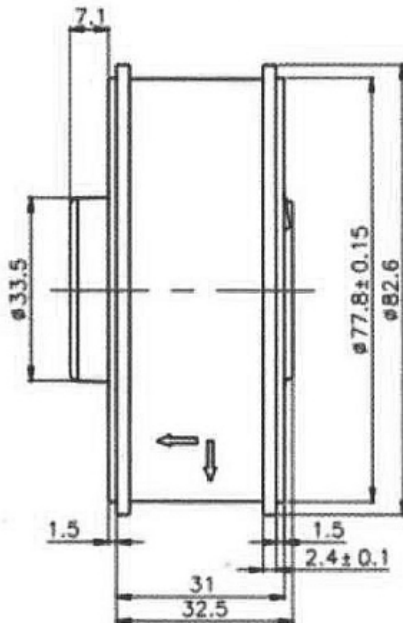
HOUSING Aluminum-Alloy Die Castings ADC12  
IMPELLER Aluminum-Alloy Die Castings ADC12  
BEARING Ball  
OPERATING TEMPERATURE -55°C to +85°C  
DIELECTRIC STRENGTH 5mA Max. at 500 VAC for 1 minute  
INSULATION RESISTANCE 10M Ω min. @500 VDC  
WEIGHT 200 g  
ROHS COMPLIANCE Yes  
IP LEVEL Special IP Rating On Request

# 82mm

## SPECIFICATION

MODEL NO.	RATED VOLTAGE(V)	RATED CURRENT(A)	INPUT POWER(W)	SPEED (RPM)	MAX. AIR PRESSURE		MAX. AIR FLOW		NOISE dB(A) @1M
					inchH2O	mmH2O	CFM	m3/min	
AD8242V28L-SA	28	0.55	15.4	15000	1.7	42.2	75	2.12	65
AD8242V28H-SA	28	2.3	64.4	25000	4.7	119	129.2	3.66	78
AD8242V28M-SA	28	1.2	33.6	22000	3.3	85	104.9	2.97	75

## DIMENSION



Unit : mm

# AIR PERFORMANCE

