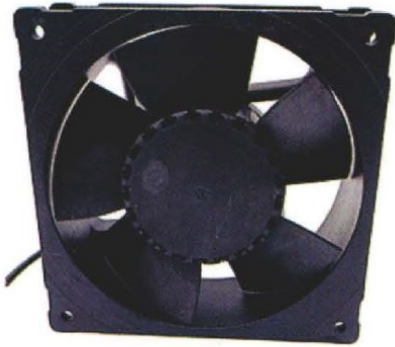


# AD

# 12038-SA

120x120x38mm(4.72"x4.72"x1.5")



HOUSING Aluminum-Alloy Die Castings ADC12  
IMPELLER Aluminum-Alloy Die Castings ADC12  
BEARING Ball  
OPERATING TEMPERATURE -55°C to +85°C  
DIELECTRIC STRENGTH 5mA Max. at 500 VAC for 1 minute  
INSULATION RESISTANCE 10M  $\Omega$  min. @500 VDC  
WEIGHT 498 g  
ROHS COMPLIANCE Yes  
IP LEVEL Special IP Rating On Request

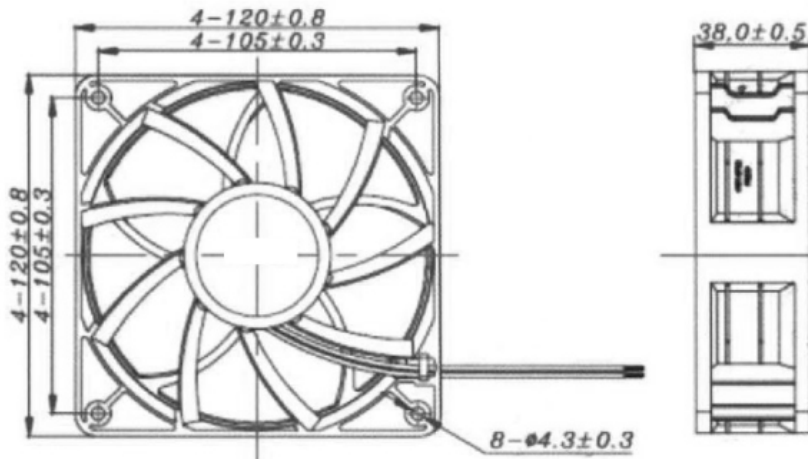
# 120

 mm

## SPECIFICATION

MODEL NO.	RATED VOLTAGE(V)	RATED CURRENT(A)	INPUT POWER(W)	SPEED (RPM)	MAX. AIR PRESSURE		MAX. AIR FLOW		NOISE dB(A) @1M
					inchH2O	mmH2O	CFM	m3/min	
AD12038V24H-SA	28	0.55	15.4	5300	1.3	32.4	158.9	4.5	77

## DIMENSION



Unit : mm

## AIR PERFORMANCE

