

# AD

# 135233-SA

Ø135x233mm(Ø5.31"x9.17")



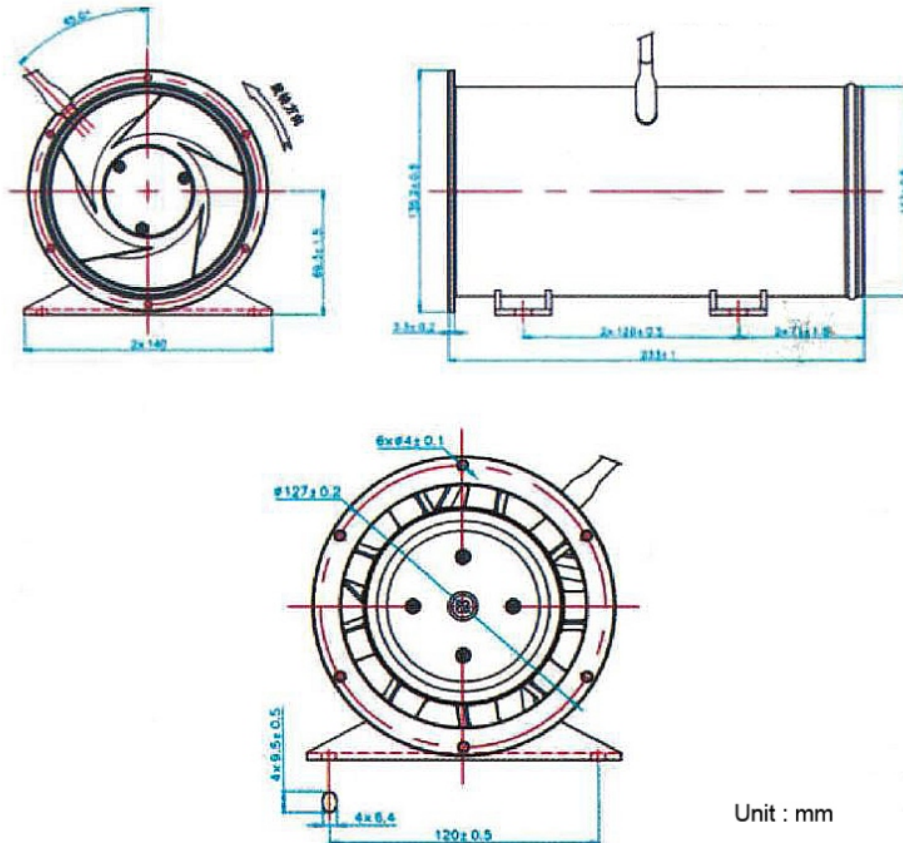
HOUSING	Aluminum-Alloy Die Castings ADC12
IMPELLER	Aluminum-Alloy Die Castings ADC12
BEARING	Ball
OPERATING TEMPERATURE	-55°C to +85°C
DIELECTRIC STRENGTH	5mA Max. at 500 VAC for 1 minute
INSULATION RESISTANCE	10M Ω min. @500 VDC
WEIGHT	3.2 kg
ROHS COMPLIANCE	Yes
IP LEVEL	Special IP Rating On Request

# 135 mm

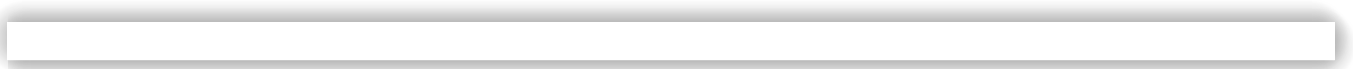
## SPECIFICATION

MODEL NO.	RATED VOLTAGE(V)	RATED CURRENT(A)	INPUT POWER(W)	SPEED (RPM)	MAX. AIR PRESSURE		MAX. AIR FLOW		NOISE dB(A) @1M
					inchH2O	mmH2O	CFM	m3/min	
AD135233V28H-SA	28	20	560	19200	24.9	632.6	311.2	8.81	90

## DIMENSION



Unit : mm



## AIR PERFORMANCE

