

AD

184178-SA

Ø184x178mm(Ø7.24"x7.01")



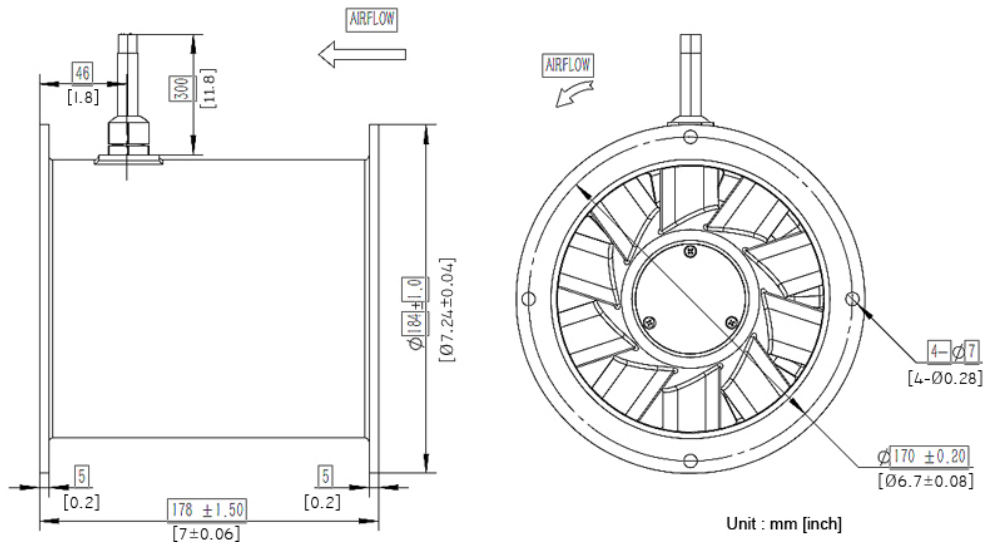
HOUSING Aluminum-Alloy Die Castings ADC12
IMPELLER Aluminum-Alloy Die Castings ADC12
BEARING Ball
OPERATING TEMPERATURE -55°C to +85°C
DIELECTRIC STRENGTH 5mA Max. at 500 VAC for 1 minute
INSULATION RESISTANCE 10M Ω min. @500 VDC
WEIGHT 4.0 kg
ROHS COMPLIANCE Yes
IP LEVEL Special IP Rating On Request

184mm

SPECIFICATION

MODEL NO.	RATED VOLTAGE(V)	RATED CURRENT(A)	INPUT POWER(W)	SPEED (RPM)	MAX. AIR PRESSURE		MAX. AIR FLOW		NOISE dB(A) @1M
					inchH2O	mmH2O	CFM	m3/min	
AD184178V28H-SA	28	70	1960	11500	14.8	375.9	940	26	86

DIMENSION



AIR PERFORMANCE

