

AD

240122-SA

Ø240x122mm(Ø9.45"x4.80")



HOUSING	Aluminum-Alloy Die Castings ADC12
IMPELLER	Aluminum-Alloy Die Castings ADC12
BEARING	Ball
OPERATING TEMPERATURE	-55°C to +85°C
DIELECTRIC STRENGTH	5mA Max. at 500 VAC for 1 minute
INSULATION RESISTANCE	10M Ω min. @500 VDC
WEIGHT	3 kg
ROHS COMPLIANCE	Yes
IP LEVEL	Special IP Rating On Request

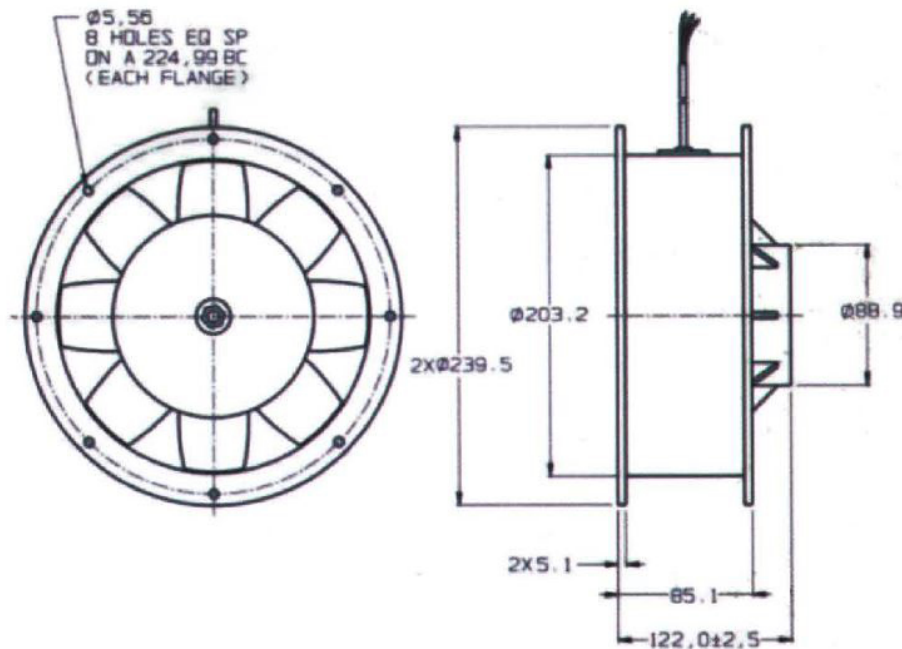
240

 mm

SPECIFICATION

MODEL NO.	RATED VOLTAGE(V)	RATED CURRENT(A)	INPUT POWER(W)	SPEED (RPM)	MAX. AIR PRESSURE		MAX. AIR FLOW		NOISE dB(A) @1M
					inchH2O	mmH2O	CFM	m3/min	
AD240122V28H-SA	28	16.6	464	6300	6.3	160	1141.4	32.3	90

DIMENSION



Unit : mm

AIR PERFORMANCE

