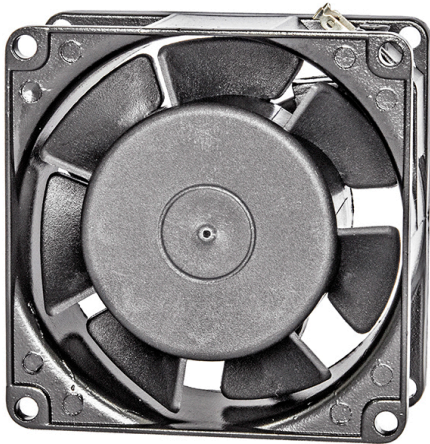


*A

8038-C

CE

80x80x38mm(3.15"x3.15"x1.5")



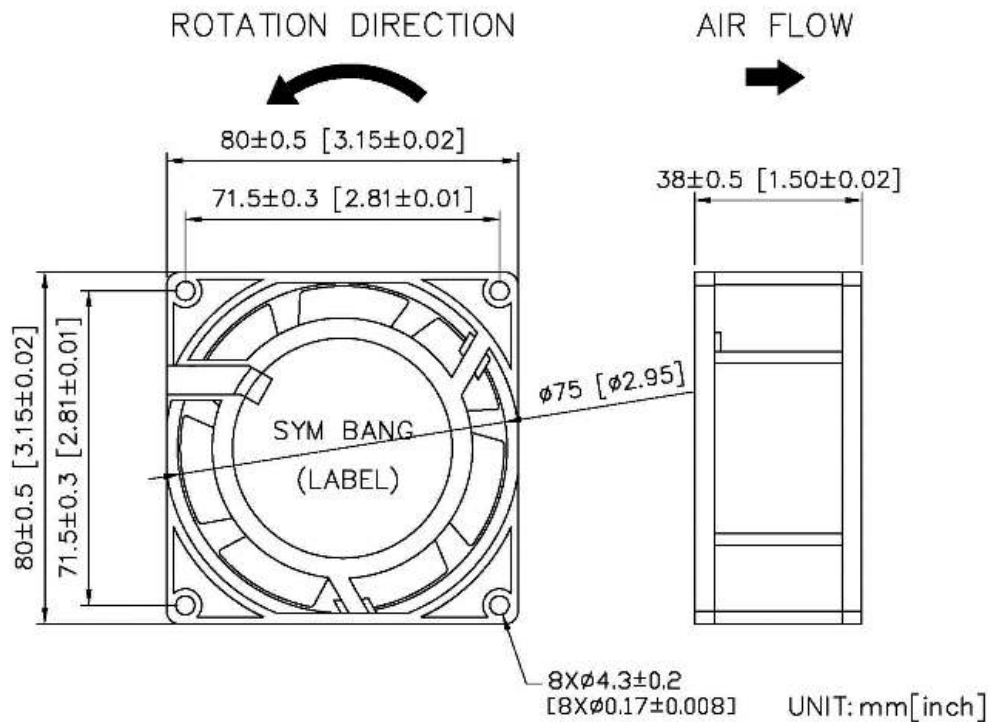
HOUSING	Aluminum Die Casting, Painted Black
IMPELLER	Thermoplastic PBT, UL94V-0
BEARING	Ball
OPERATING TEMPERATURE	-10°C to + 70°C
INSULATION	Class A
OPERATING VOLTAGE RANGE	100 VAC to 120 VAC for 115V Type 200 VAC to 240 VAC for 230V Type
DIELECTRIC STRENGTH	5mA Max. at 1500 VAC for 1 second
INSULATION RESISTANCE	10M Ω min. @500 VDC
MOTOR TYPE	Shaded Pole Motor
SAFETY	Impedance Protected
TERMINATION	Lead Wire
WEIGHT	370 g
ROHS COMPLIANCE	Yes
ADDITIONAL FUNCTION	FG, RD
DUAL VOLTAGE	115/230 VAC
IP LEVEL	IP21(Special IP Rating On Request)

80 mm

SPECIFICATION

MODEL NO.	RATED VOLTAGE(V)	RATED CURRENT(A)	INPUT POWER(W)	SPEED (RPM)	MAX. AIR PRESSURE		MAX. AIR FLOW		NOISE dB(A) @1M
					inchH2O	mmH2O	CFM	m3/min	
A8038V2HST-C	230	0.10/0.08	13/12	2300/2700	0.17/0.24	4.3/6.1	26/30	0.74/0.85	30/35

DIMENSION



AIR PERFORMANCE

