

# EEP

# 12038-HM

120x120x38mm(4.72"x4.72"x1.5")



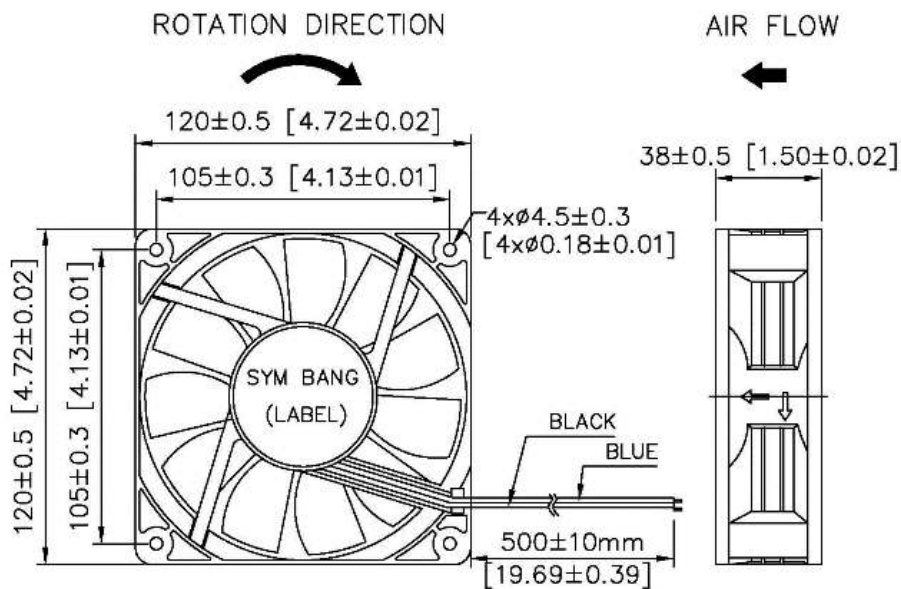
HOUSING	PA66+30%GF - UL94V-0
IMPELLER	PA66+30%GF - UL94V-0
BEARING	Ball
OPERATING TEMPERATURE	-60°C to +70°C
INSULATION	Class A
OPERATING VOLTAGE RANGE	100 VAC to 120 VAC for 115V Type 200 VAC to 240 VAC for 230V Type
DIELECTRIC STRENGTH	5mA Max. at 1800 VAC for 1 second
INSULATION RESISTANCE	10M Ω min. @500 VDC
MOTOR TYPE	AC Frequency-Switching FAN
SAFETY	Impedance Protected
TERMINATION	Lead Wire
WEIGHT	400 g
ROHS COMPLIANCE	Yes
IP LEVEL	IP67

# 120mm

## SPECIFICATION

MODEL NO.	RATED VOLTAGE(V)	RATED CURRENT(A)	INPUT POWER(W)	SPEED (RPM)	MAX. AIR PRESSURE		MAX. AIR FLOW		NOISE dB(A) @1M
					inchH2O	mmH2O	CFM	m3/min	
EEP12038V2H-HM	230	0.057/0.068	7.7	2600	0.27	6.86	111.45	3.15	46.8
EEP12038V1H-HM	115	0.14/0.12	7.7	2600	0.27	6.86	111.45	3.15	46.8
EEP12038FVH-HM	110/230	-	7.7	2600	0.27	6.86	111.45	3.15	46.8

## DIMENSION



UNIT: mm[inch]

## AIR PERFORMANCE

