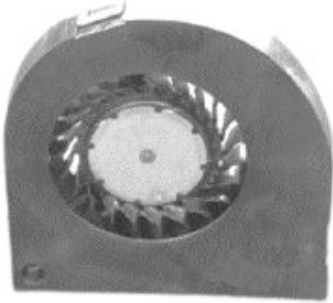


DB

3505-LW

35x35x5mm (1.38"x1.38"x0.2") **CE**



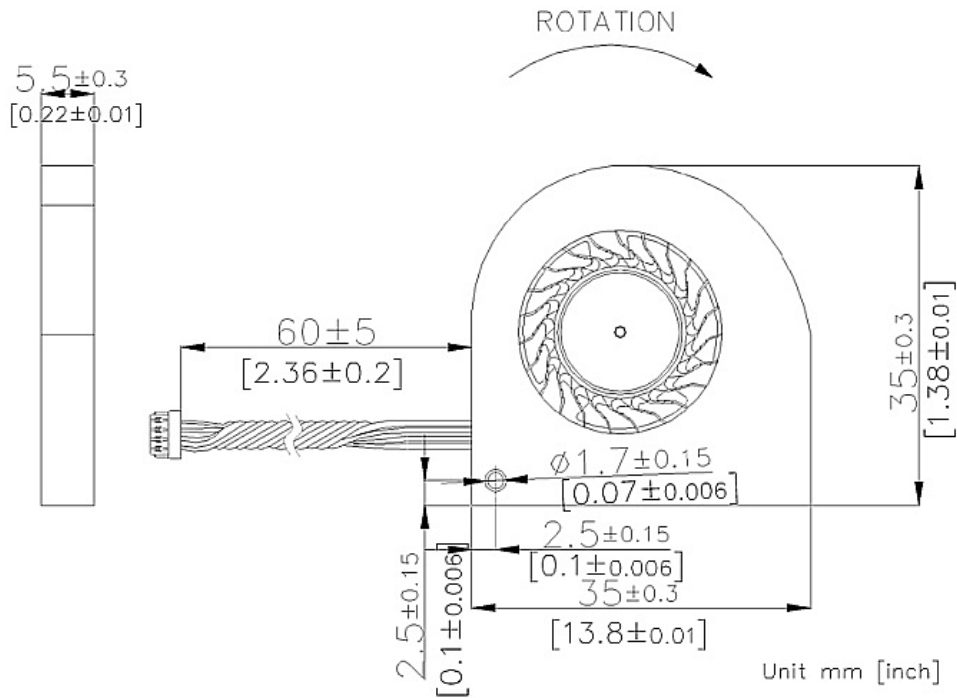
HOUSING Thermoplastic PBT, UL94V-0
IMPELLER Thermoplastic PBT, UL94V-0
BEARING Sleeve
OPERATING TEMPERATURE -10°C to +60°C
INSULATION 5mA Max. at 500 VAC for 1 minute
DIELECTRIC STRENGTH 10M Ω min. @500 VDC
INSULATION RESISTANCE 7.5g
ROHS COMPLIANCE Yes
IP LEVEL Special IP Rating On Request

35 mm

SPECIFICATION

MODEL NO.	RATED VOLTAGE(V)	RATED CURRENT(A)	INPUT POWER(W)	SPEED (RPM)	MAX. AIR PRESSURE		MAX. AIR FLOW		NOISE dB(A) @1M
					inchH2O	mmH2O	CFM	m3/min	
DB3505V3L-LW	3	0.14	0.42	9500	0.83	21.1	2.19	0.062	31.7
DB3505V3M-LW	3	0.19	0.57	10500	1.02	25.8	2.42	0.068	33.9
DB3505V3H-LW	3	0.36	1.08	12200	1.38	34.9	2.81	0.080	37.1

DIMENSION



AIR PERFORMANCE

