

# DB

# 2005-LW

20x20x5mm(0.79"x0.79"x0.2") **CE**



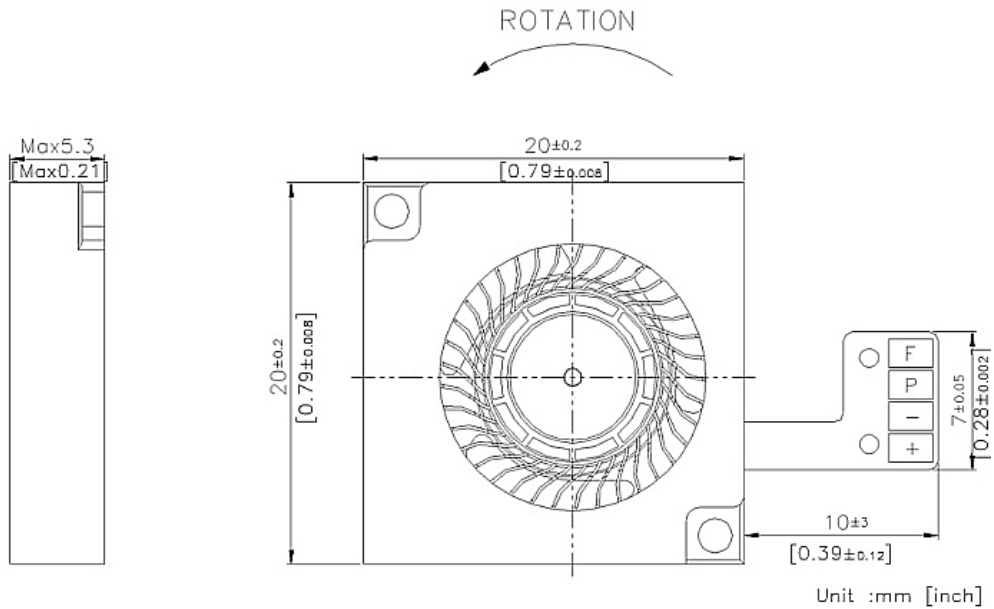
HOUSING Thermoplastic PBT, UL94V-0  
IMPELLER Thermoplastic PBT, UL94V-0  
BEARING Sleeve  
OPERATING TEMPERATURE -10°C to +60°C  
INSULATION 5mA Max. at 500 VAC for 1 minute  
DIELECTRIC STRENGTH 10M  $\Omega$  min. @500 VDC  
INSULATION RESISTANCE 1.35g  
ROHS COMPLIANCE Yes  
IP LEVEL Special IP Rating On Request

# 20 mm

## SPECIFICATION

MODEL NO.	RATED VOLTAGE(V)	RATED CURRENT(A)	INPUT POWER(W)	SPEED (RPM)	MAX. AIR PRESSURE		MAX. AIR FLOW		NOISE dB(A) @1M
					inchH2O	mmH2O	CFM	m3/min	
DB2005V3XL-LW	3	0.045	0.14	5800	0.09	2.32	0.3	0.008	17.4
DB2005V3L-LW	3	0.096	0.29	9500	0.25	6.23	0.49	0.014	27.6
DB2005V3M-LW	3	0.16	0.48	12500	0.43	10.79	0.65	0.018	33.2
DB2005V3H-LW	3	0.25	0.75	14000	0.53	13.53	0.72	0.020	35.6

## DIMENSION



# AIR PERFORMANCE

