

# DB

# 147165

147x173x165mm(5.79"x6.81"x6.43")



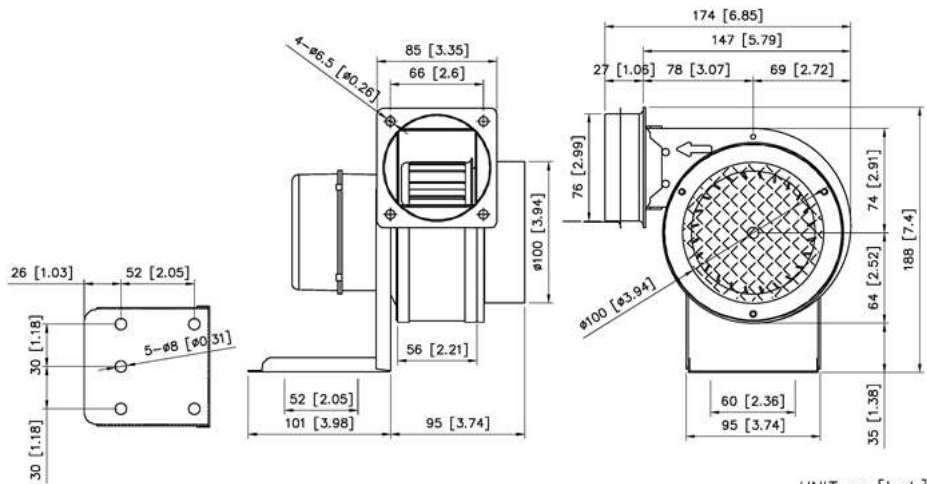
HOUSING	Steel
IMPELLER	Steel
BEARING	Ball
OPERATING TEMPERATURE	0°C to + 40°C
DIELECTRIC STRENGTH	5mA Max. at 700 VDC for 1 second
INSULATION RESISTANCE	10M $\Omega$ min. @500 VDC
WEIGHT	1.9 kg
ROHS COMPLIANCE	Yes
IP LEVEL	IP21 (Special IP Rating On Request)

# 147 mm

## SPECIFICATION

MODEL NO.	RATED VOLTAGE(V)	RATED CURRENT(A)	INPUT POWER(W)	SPEED (RPM)	MAX. AIR PRESSURE		MAX. AIR FLOW		NOISE dB(A) @1M
					inchH2O	mmH2O	CFM	m3/min	
DB147165V24HB	24	2.2	52.8	3350	1.18	30	95	2.69	65

## DIMENSION



## AIR PERFORMANCE

