

DCF

15084-TK

Ø150x84mm(Ø5.91"x3.31")



HOUSING	Aluminum
IMPELLER	Thermoplastic PBT, UL94V-0
BEARING	Ball
OPERATING TEMPERATURE	-10°C to +70°
DIELECTRIC STRENGTH	5mA Max. at 500 VAC for 1 minute
INSULATION RESISTANCE	10M Ω min. @500 VDC
WEIGHT	343 g
ROHS COMPLIANCE	Yes
IP LEVEL	IP21 (Special IP Rating On Request)

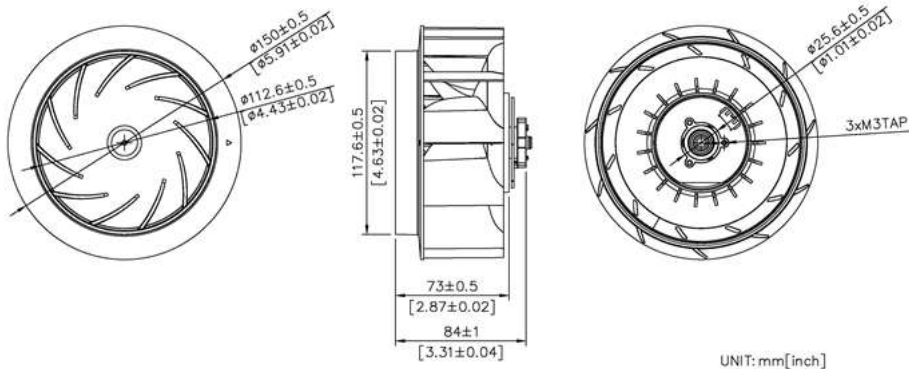
150

 mm

SPECIFICATION

MODEL NO.	RATED VOLTAGE(V)	RATED CURRENT(A)	INPUT POWER(W)	SPEED (RPM)	MAX. AIR PRESSURE		MAX. AIR FLOW		NOISE dB(A) @1M
					inchH2O	mmH2O	CFM	m3/min	
DCF15084V24H-TK	24	0.23	5.52	1450	0.23	5.95	124.77	3.53	41.8

DIMENSION



AIR PERFORMANCE

DCF15084-TK

