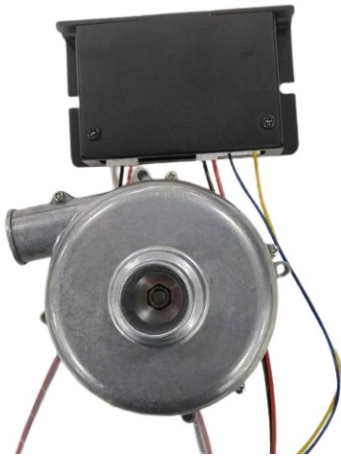


DSB

9772-TK



97x93x72mm(3.82"x3.69"x2.84")



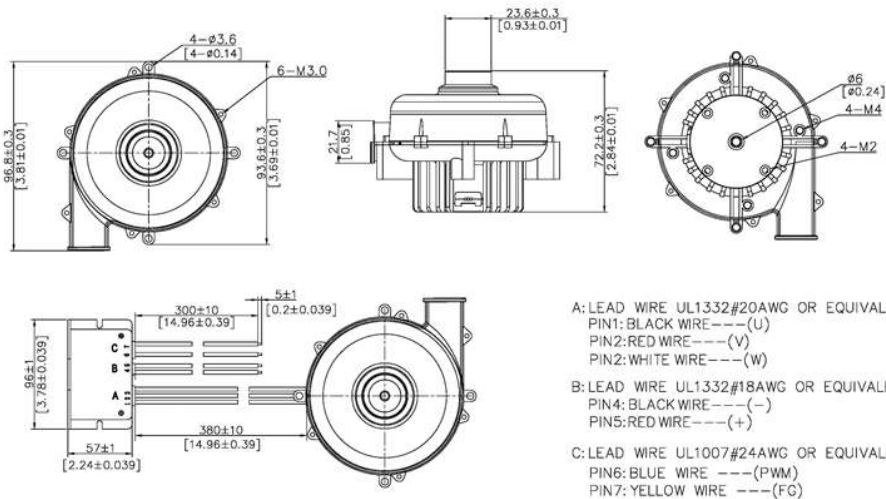
HOUSING	Aluminum
IMPELLER	Aluminum
BEARING	Ball
OPERATING TEMPERATURE	-40°C to +60°C
DIELECTRIC STRENGTH	5mA Max. at 500 VAC for 1 minute
INSULATION RESISTANCE	10M Ω min. @500 VDC
WEIGHT	490 g
ROHS COMPLIANCE	Yes
IP LEVEL	Special IP Rating On Request

97 mm

SPECIFICATION

MODEL NO.	RATED VOLTAGE(V)	RATED CURRENT(A)	INPUT POWER(W)	SPEED (RPM)	MAX. AIR PRESSURE		MAX. AIR FLOW		NOISE dB(A) @1M
					inchH2O	mmH2O	CFM	m3/min	
DSB9772V24H-TK	24	9	216	52000	73.26	1859.3	33.8	0.96	78.9

DIMENSION



Unit : mm[inch]

- A: LEAD WIRE UL1332#20AWG OR EQUIVALENT
 PIN1: BLACK WIRE---(U)
 PIN2: RED WIRE---(V)
 PIN2: WHITE WIRE---(W)
- B: LEAD WIRE UL1332#18AWG OR EQUIVALENT
 PIN4: BLACK WIRE---(-)
 PIN5: RED WIRE---(+)
- C: LEAD WIRE UL1007#24AWG OR EQUIVALENT
 PIN6: BLUE WIRE ---(-PWM)
 PIN7: YELLOW WIRE ---(-FG)

AIR PERFORMANCE

