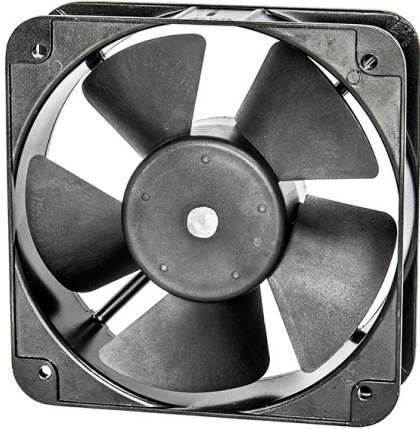


# E

# 20060-YH

200x200x60mm(7.87"x7.87"x2.36")



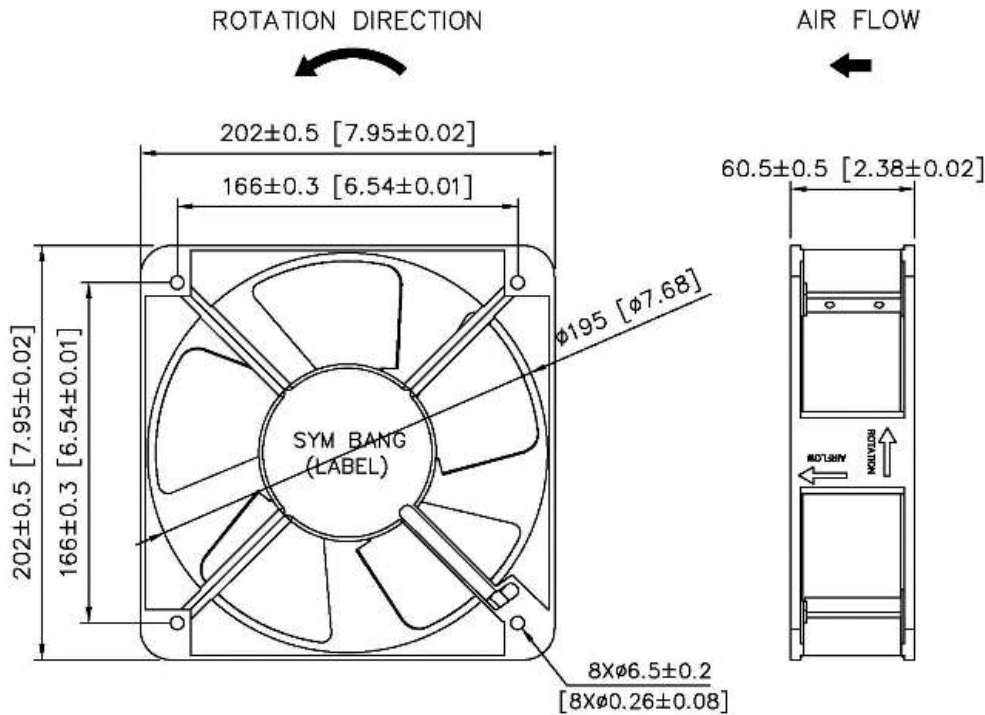
HOUSING	Aluminum Die Casting, Painted Black
IMPELLER	Thermoplastic PBT+30% Fiber glass, UL94V-0
BEARING	Ball
INSULATION	Class A
OPERATING TEMPERATURE	-10°C to + 60°C
OPERATING VOLTAGE RANGE	85 VAC to 132VAC for 110V Type 180 VAC to 265 VAC for 220V Type
DIELECTRIC STRENGTH	5mA Max. at 500 VAC for 1 minute
INSULATION RESISTANCE	10M $\Omega$ min. @500 VDC
MOTOR TYPE	Brushless EC Motor
TERMINATION	Lead Wire
WEIGHT	2.8 Kg
ROHS COMPLIANCE	Yes
IP LEVEL	IP21 (Special IP Rating On Request)

# 200 mm

## SPECIFICATION

MODEL NO.	RATED VOLTAGE(V)	RATED CURRENT(A)	INPUT POWER(W)	SPEED (RPM)	MAX. AIR PRESSURE		MAX. AIR FLOW		NOISE dB(A) @1M
					inchH2O	mmH2O	CFM	m3/min	
E20060V1MBL	110	0.07	50	2500	0.36	9.24	513.66	14.57	60.2
E20060V1LBL	110	0.07	40	2000	0.29	7.39	410.93	11.66	56.3
E20060V2MBL	220	0.07	50	2500	0.36	9.24	513.66	14.57	60.2
E20060V2LBL	220	0.07	40	2000	0.29	7.39	410.93	11.66	56.3

## DIMENSION



UNIT: mm[inch]

SYMBANG

# AIR PERFORMANCE

