

AFC 90



Ø90mm(Ø3.55")



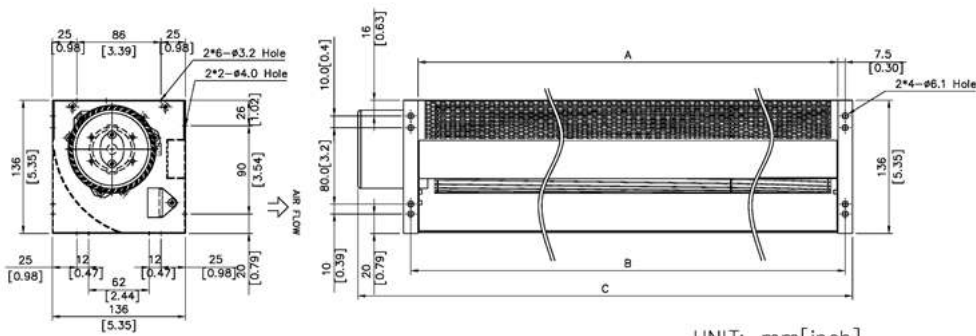
HOUSING	Metal/Aluminum
IMPELLER	Aluminum, Ø90mm
BEARING	Ball
INSULATION	Class A
OPERATING TEMPERATURE	0°C to + 45°C
OPERATING VOLTAGE RANGE	85 VAC to 125 VAC for 115V Type 185 VAC to 245 VAC for 230V Type
DIELECTRIC STRENGTH	1,500 VAC for 1 second
INSULATION RESISTANCE	10M Ω min. @500 VDC
SAFETY	Thermally Protected
MOTOR TYPE	Capacitor Motor
ROHS COMPLIANCE	Yes
IP LEVEL	Special IP Rating On Request

90 mm

SPECIFICATION

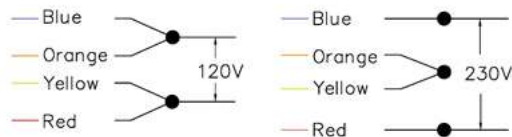
MODEL NO.	RATED VOLTAGE(V)	RATED CURRENT(A)	INPUT POWER(W)	SPEED (RPM)	MAX. AIR PRESSURE		MAX. AIR FLOW		NOISE dB(A) @1M
					inchH2O	mmH2O	CFM	m3/min	
AFC90470V1M	120	0.32/0.36	36/42	1200/1250	0.09/0.13	2.5/3.3	286/297	8.1/8.4	46/47
AFC90470V2M	230	0.16	34	1250	0.10	2.6	297	8.4	47
AFC90630V1M	120	0.70	78	1700	0.17	4.2	534	15.1	54
AFC90630V2M	230	0.40	64	1400	0.12	3.0	456	12.9	49
AFC90880V1M	120	0.82	93	1600	0.13	3.4	633	17.9	56
AFC90880V2M	230	0.43	73	1400	0.11	2.8	587	16.6	52
AFC90310V2M	230	0.15	32	1350	0.09	2.3	205	5.8	47
AFC90310V1M	120	0.29/0.32	32/37	1350/1550	0.09/0.13	2.3/3.4	205/233	5.8/6.6	47/53

DIMENSION



MODEL NO.	DIMENSION(mm)			WEIGHT (Kg)
	A	B	C	
AFC90310	360	375	415	2.5
AFC90470	525	540	580	2.9
AFC90630	680	695	745	4.4
AFC90880	930	945	994	4.7

Dual Voltage Wire Diagram



AIR PERFORMANCE

