

AFS 40



Ø40mm(Ø1.58")

40 mm

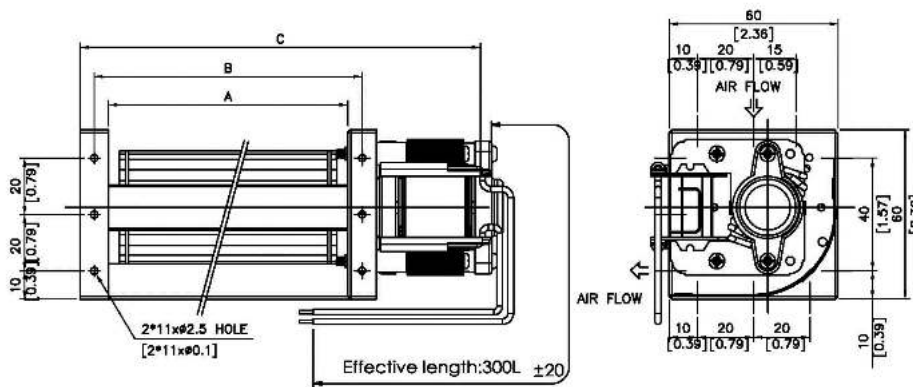


HOUSING	Metal/Aluminum
IMPELLER	Aluminum, Ø40mm
BEARING	Ball or Sleeve
INSULATION	Class A
OPERATING TEMPERATURE	0°C to + 45°C
OPERATING VOLTAGE RANGE	85 VAC to 125 VAC for 115V Type 185 VAC to 245 VAC for 230V Type
DIELECTRIC STRENGTH	1,500 VAC for 1 second
INSULATION RESISTANCE	10M Ω min. @500 VDC
SAFETY	Impedance Protected
MOTOR TYPE	Shaded Pole Motor
ROHS COMPLIANCE	Yes
IP LEVEL	Special IP Rating On Request

SPECIFICATION

MODEL NO.	RATED VOLTAGE(V)	RATED CURRENT(A)	INPUT POWER(W)	SPEED (RPM)	MAX. AIR PRESSURE		MAX. AIR FLOW		NOISE dB(A) @1M
					inchH2O	mmH2O	CFM	m3/min	
AFS40098V1H	120	0.12	9	3000	0.09	2.3	24	0.7	33
AFS40098V2H	230	0.09	11	2700	0.07	1.7	21	0.6	29
AFS40160V1H	120	0.13	10	2800	0.09	2.4	39	1.1	34
AFS40160V2H	230	0.09	11	2600	0.07	1.9	35	1.0	30
AFS40198V1H	120	0.13	9	2400	0.10	2.6	46	1.3	31
AFS40198V2H	230	0.09	12	2500	0.08	2.0	49	1.4	33
AFS40300V1H	120	0.21	16	2200	0.10	2.6	70	2.0	35
AFS40300V2H	230	0.10	13	2400	0.08	2.1	74	2.1	37

DIMENSION



MODEL NO.	DIMENSION(mm)			WEIGHT (g)
	A	B	C	
AFS40098	98	108	160	520
AFS40160	160	170	222	560
AFS40198	198	208	260	600
AFS40300	300	310	366	730

UNIT:mm[inch]

AIR PERFORMANCE

