

DTF R

100-EM

Ø100mmx195mm(Ø3.94"x7.68")

Plastic Duct



Iron Duct



HOUSING

(1)PP (Polypropylene) material anti-acid and alkali

IMPELLER

(2)Thickened stainless steel with ultraviolet-proof

BEARING

Centrifugal Flow Type, ABS Plastic

MOTOR TYPE

Ball

TERMINATION

Single Phase Ball Bearing Motor

OPERATING VOLTAGE RAGE

Lead Wire

DIELECTRIC STRENGTH

220VAC to 240 VAC for 230V Type

INSULATION

1,500 VAC for 1 second

INSULATION RESISTANCE

Class F

OPERATING TEMPERATURE

10M Ohms Min. @ 500VDC

SAFETY

-20°C to + 60°C

ROHS COMPLIANCE

Thermally Protected

IP LEVEL

Yes

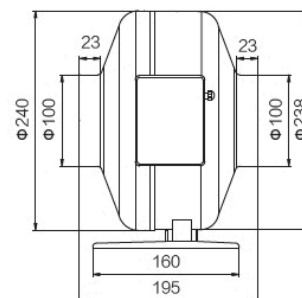
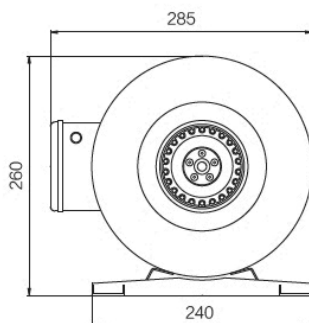
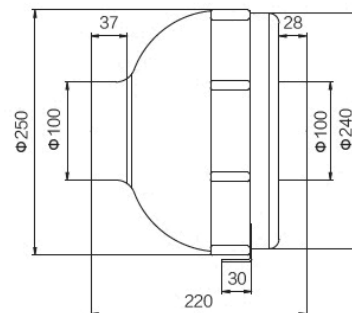
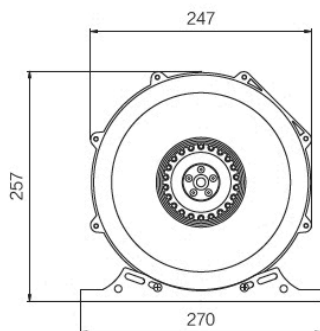
IP44

100 mm

SPECIFICATION

MODEL NO.	RATED VOLTAGE(V)	RATED CURRENT(A)	INPUT POWER(W)	SPEED (RPM)	MAX. AIR PRESSURE		MAX. AIR FLOW		NOISE dB(A) @1M
					inchH2O	mmH2O	CFM	m3/min	
DTFR100V2-EM	220	0.35	75	2500	1.41	35.69	147.26	4.17	47

DIMENSION



Unit : mm

AIR PERFORMANCE

