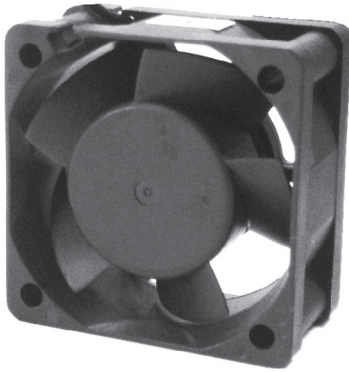


D4020

40x40x20mm(1.57"x1.57"x0.79")

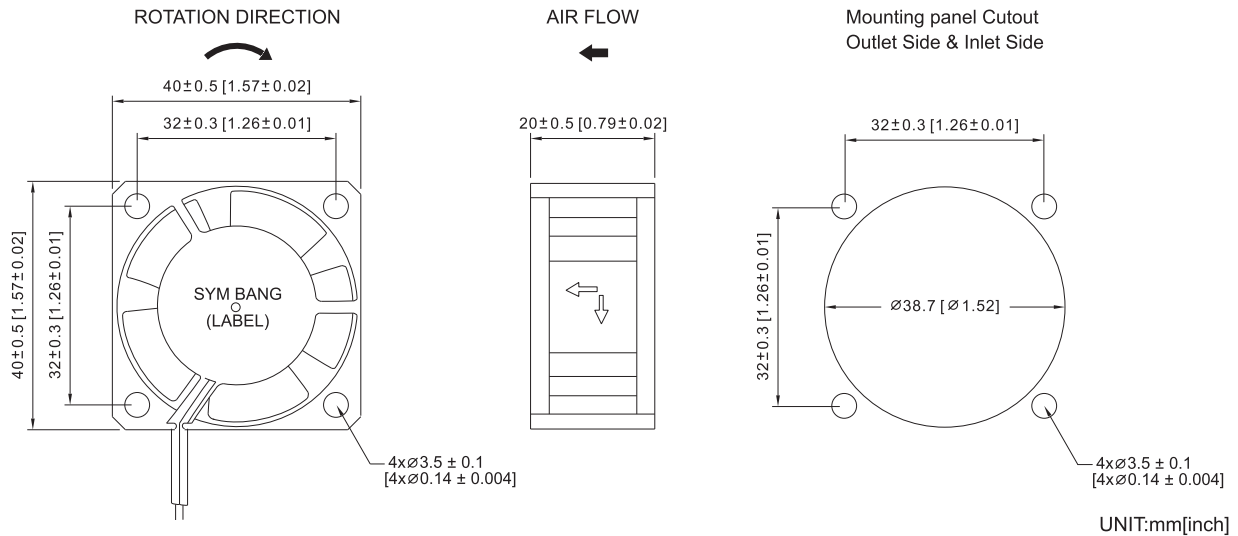


HOUSING Thermoplastic PBT, UL94V-0
IMPELLER Thermoplastic PBT, UL94V-0
BEARING Ball or Sleeve
OPERATING TEMPERATURE -10°C to + 70°C
DIELECTRIC STRENGTH 5mA Max. at 500 VAC for 1 minute
INSULATION RESISTANCE 10M Ω min. @500 VDC
WEIGHT 40 g
ROHS COMPLIANCE Yes
IP LEVEL IP21 (Special IP Rating On Request)

40mm

40mm

DIMENSION



SPECIFICATION

MODEL NO.	RATED VOLTAGE (V)	RATED CURRENT (A)	INPUT POWER (W)	SPEED (RPM)	MAX. AIR PRESSURE		MAX. AIR FLOW		NOISE dB(A) @1M
					inchH ₂ O	mmH ₂ O	CFM	m ³ /min	
D4020V24L	24	0.1	2.4	5000	0.11	2.8	6.4	0.18	26.7
D4020V24M	24	0.13	3.12	6000	0.13	3.4	7.2	0.2	28.4
D4020V24H	24	0.18	4.32	7000	0.19	4.9	8.5	0.24	32.7
D4020V12L	12	0.08	0.96	5000	0.11	2.8	6.4	0.18	26.7
D4020V12M	12	0.1	1.2	6000	0.13	3.4	7.2	0.2	28.4
D4020V12H	12	0.16	1.92	7000	0.19	4.9	8.5	0.24	32.7

AIR PERFORMANCE

