



























**SYMBANG**

# AC / DC Cross Flow Fan

www.activa.com.tw

	AFC60		AFS40		DF43
	AFC60G		AFS43		DF50
	AFC90		AFS50		DF60
	AFC150		AFS60		DFA60
	AFG60		DF25		DF90
	AFG60-FG		DF30		DFB60
	AFG60600		DF30A		DFG60
	AFS30		DF40		DFG65

## AC Cross Flow Fan-PART NUMBER CODE

AFS	30	160	V2	H	B	A	-L	-FG
Motor Type	Impeller Diamete	Impeller Length	Voltage	Speed	Bearing	Special Type	Motor Side	Function
AFS: AC Shaded Pole AFC: AC Capacitor AFG: AC Shaded Pole with Scroll Shape Case	30: ø30mm 40: ø40mm etc.	098: 98mm 160: 160mm etc.	V1(AC 110-120V) V2(AC 220-240V)	H: High M: Medium L: Low XL: Extra Low	B: Ball S: Sleeve	Special Type	L: Left Motor R: Right Motor (View from Airflow side)	FG: FG Signal RD: RD Signal

## DC Cross Flow Fan-PART NUMBER CODE

DF	30	160	V24	H	B	-L	-FG	A
Motor Type	Impeller Diamete	Impeller Length	Voltage	Speed	Bearing	Motor Side	Function	Special Type
DF: DC Brushless DFA: DC Brushless Special Frame DFB: DC Brush Motor DFG: DC Brushless with Scroll Shape Case	30: ø30mm 40: ø40mm etc.	098: 98mm 160: 160mm etc.	V12(DC 12V) V24(DC 24V) V48(DC 48V)	SH: Super Speed-High SM: Super Speed-Medium SL: Super Speed-Low H: High M: Medium L: Low XL: Extra Low	B: Ball S: Sleeve	L: Left Motor R: Right Motor (View from Airflow side)	FG: FG Signal RD: RD Signal PWM: PWM Signal	Special Type

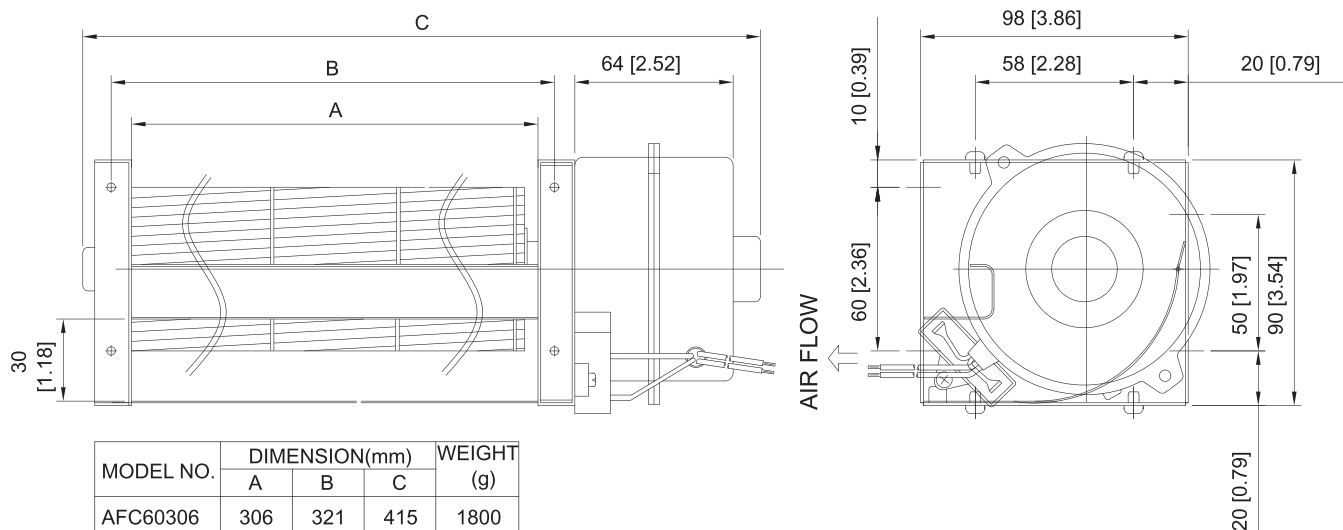
AC / DC Cross Flow Fan

# AFC 60



HOUSING	Metal / Aluminum
IMPELLER	Aluminum, $\varnothing$ 60mm
BEARING	Ball
OPERATING VOLTAGE	85VAC to 125VAC for 115V Type 185VAC to 245VAC for 230V Type
DIELECTRIC STRENGTH	1,500 VAC for 1 minute
INSULATION	Class A
INSULATION RESISTANCE	10M Ohms Min. @500 VDC
OPERATING TEMPERATURE	0°C to +45°C
SAFETY	Thermally Protected
ROHS COMPLIANCE	Yes
MOTOR TYPE	Capacitor Motor

## DIMENSION



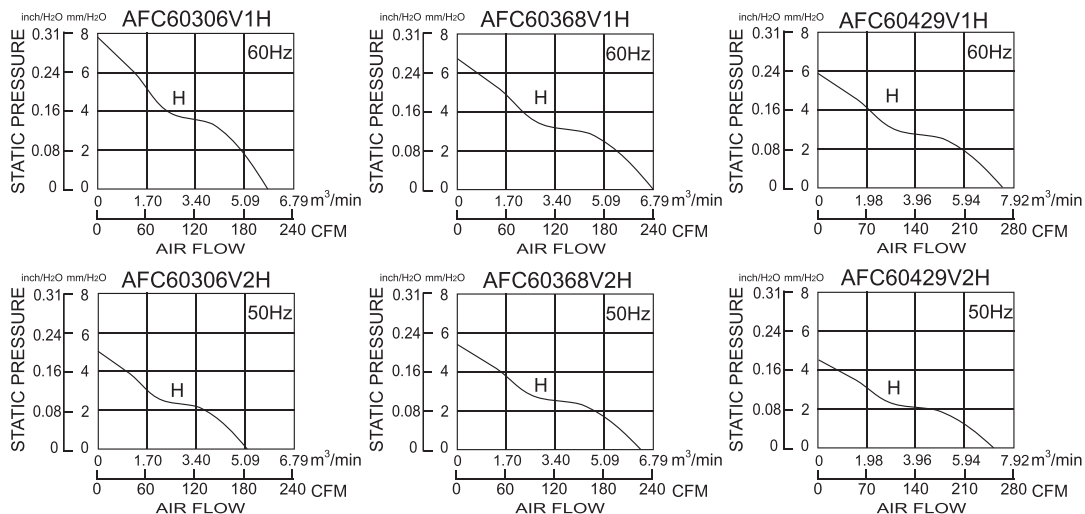
MODEL NO.	DIMENSION(mm)			WEIGHT (g)
	A	B	C	
AFC60306	306	321	415	1800
AFC60368	368	383	477	1850
AFC60429	429	444	538	1930

UNIT:mm[inch]

## SPECIFICATION

MODEL NO.	RATED VOLTAGE (V)	FREQUENCY (Hz)	RATED CURRENT (A)	INPUT POWER (W)	SPEED (RPM)	MAX. AIR PRESSURE		MAX. AIR FLOW		NOISE dB(A) @ 1M
						inchH <sub>2</sub> O	mmH <sub>2</sub> O	CFM	m <sup>3</sup> /min	
AFC60306V1H	120	60	0.33	39	2900	0.30	7.8	205	5.8	55
AFC60306V2H	230	50	0.15	31	2600	0.20	5.0	183	5.2	50
AFC60368V1H	120	60	0.35	42	2600	0.26	6.7	240	6.8	54
AFC60368V2H	230	50	0.16	34	2500	0.21	5.3	223	6.3	53
AFC60429V1H	120	60	0.39	47	2600	0.23	5.9	267	7.5	54
AFC60429V2H	230	50	0.17	36	2500	0.17	4.4	252	7.1	53

## AIR PERFORMANCE



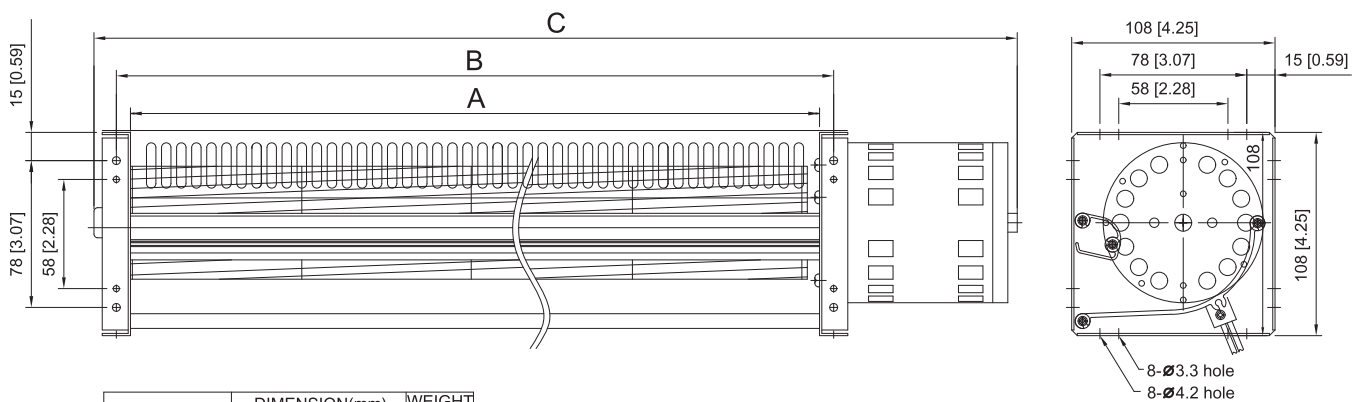
AC / DC Cross Flow Fan

# AFC 60G



**HOUSING** Metal / Aluminum  
**IMPELLER** Aluminum,  $\varnothing$  60mm  
**BEARING** Ball  
**OPERATING VOLTAGE** 85VAC to 125VAC for 115V Type  
 185VAC to 245VAC for 230V Type  
 1,500 VAC for 1 minute  
**DIELECTRIC STRENGTH**  
**INSULATION** Class A  
**INSULATION RESISTANCE** 10M Ohms Min. @ 500 VDC  
**OPERATING TEMPERATURE** 0°C to + 45°C  
**SAFETY** Thermally Protected  
**ROHS COMPLIANCE** Yes  
**MOTOR TYPE** Capacitor Motor

## DIMENSION



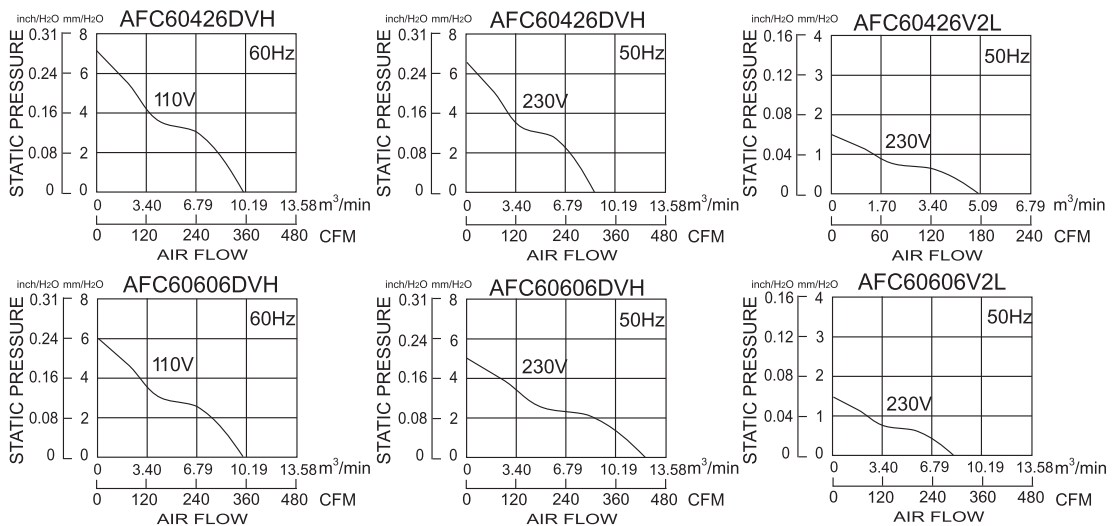
MODEL NO.	DIMENSION(mm)			WEIGHT (g)
	A	B	C	
AFC60426DVH	426	441	555	2850
AFC60368V2L	426	441	520	2800
AFC60606DVH	606	621	735	3300
AFC60606V2L	606	621	700	3200

UNIT:mm[inch]

## SPECIFICATION

MODEL NO.	RATED VOLTAGE (V)	FREQUENCY (Hz)	RATED CURRENT (A)	INPUT POWER (W)	SPEED (RPM)	MAX. AIR PRESSURE		MAX. AIR FLOW		NOISE dB(A) @ 1M
						inchH <sub>2</sub> O	mmH <sub>2</sub> O	CFM	m <sup>3</sup> /min	
AFC60426DVH	110	60	0.56	62	2800	0.28	7.2	354	10	57
	230	50	0.22	49	2700	0.26	6.5	318	9	56
AFC60426V2L	230	50	0.11	26	1400	0.06	1.5	177	5	34
	110	60	0.67	73	2000	0.24	6.0	354	10	51
AFC60606DVH	230	50	0.28	64	2300	0.20	5.0	424	12	54
	230	50	0.11	26	1400	0.06	1.5	283	8	37

## AIR PERFORMANCE

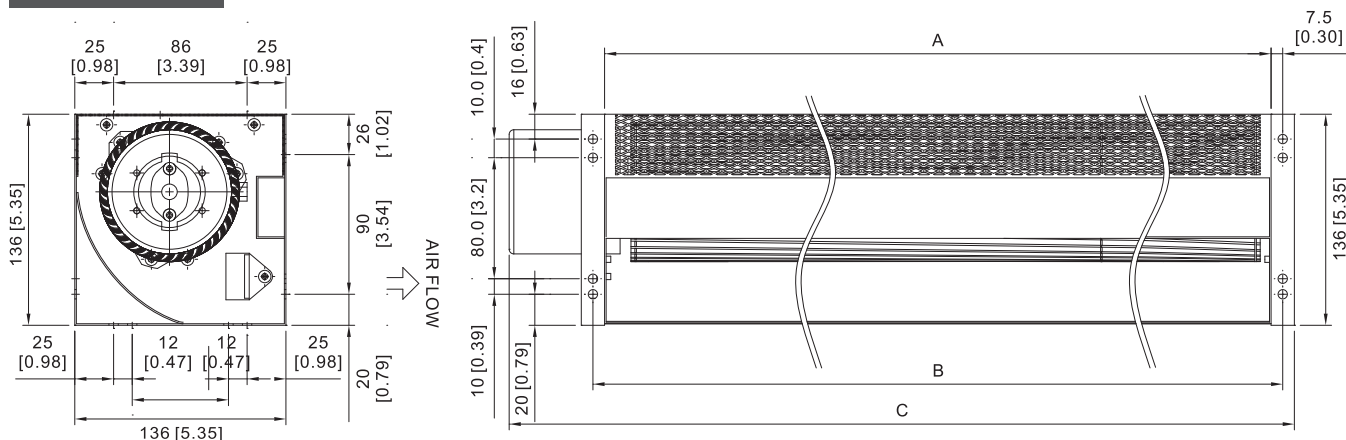


# AFC 90



**HOUSING** Metal / Aluminum  
**IMPELLER** Aluminum, Ø90mm  
**BEARING** Ball  
**OPERATING VOLTAGE** 85VAC to 125VAC for 115V Type  
 185VAC to 245VAC for 230V Type  
**DIELECTRIC STRENGTH** 1,500 VAC for 1 minute  
**INSULATION** Class A  
**INSULATION RESISTANCE** 10M Ohms Min.@500 VDC  
**OPERATING TEMPERATURE** 0°C to +45°C  
**SAFETY** Thermally Protected  
**ROHS COMPLIANCE** Yes  
**MOTOR TYPE** Capacitor Motor

## DIMENSION



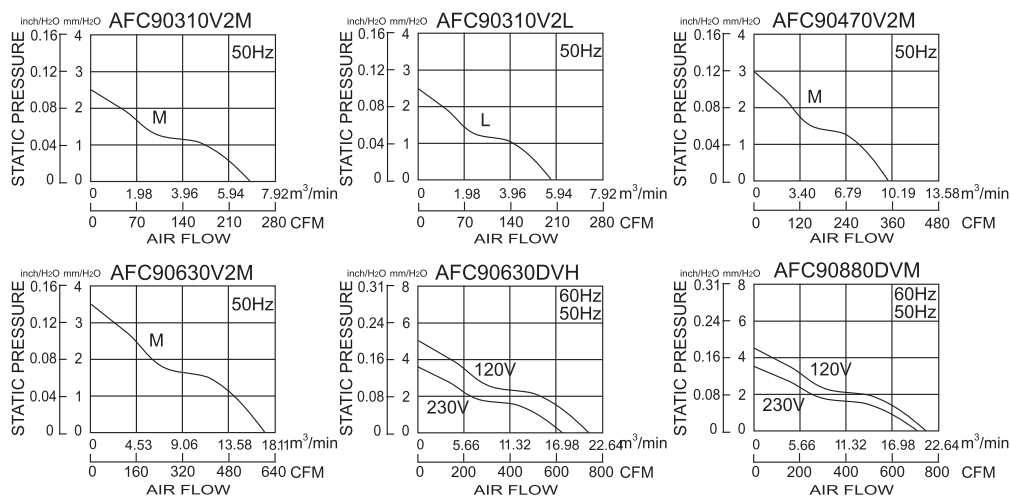
MODEL NO.	DIMENSION(mm)			WEIGHT (g)
	A	B	C	
AFC90310V2M	360	375	415	2510
AFC90310V2L	360	375	415	2230
AFC90470V2M	525	540	580	2920
AFC90630V2M	680	695	735	3580
AFC90630DVM	680	965	756	4390
AFC90880DVM	930	945	1005	4650

UNIT:mm[inch]

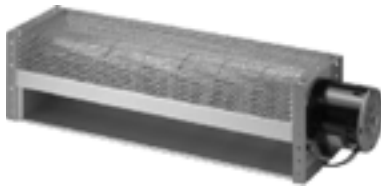
## SPECIFICATION

MODEL NO.	RATED VOLTAGE (V)	FREQUENCY (Hz)	RATED CURRENT (A)	INPUT POWER (W)	SPEED (RPM)	MAX. AIR PRESSURE		MAX. AIR FLOW		NOISE dB(A) @ 1M
						inchH <sub>2</sub> O	mmH <sub>2</sub> O	CFM	m <sup>3</sup> /min	
AFC90310V2M	230	50	0.12	26	1400	0.10	2.5	241	6.8	44
AFC90310V2L	230	50	0.13	26	1200	0.10	2.5	191	5.4	41
AFC90470V2M	230	50	0.14	32	1300	0.12	3.0	354	10.0	46
AFC90630V2M	230	50	0.26	58	1400	0.14	3.5	601	17.0	49
AFC90630DVM	120	60	0.70	78	1700	0.20	5.0	719	20.3	54
	230	50	0.40	64	1500	0.14	3.5	626	17.7	50
AFC90880DVM	120	60	0.82	93	1600	0.18	4.5	729	20.6	56
	230	50	0.43	73	1500	0.14	3.5	708	20.0	54

## AIR PERFORMANCE



# AFC 150

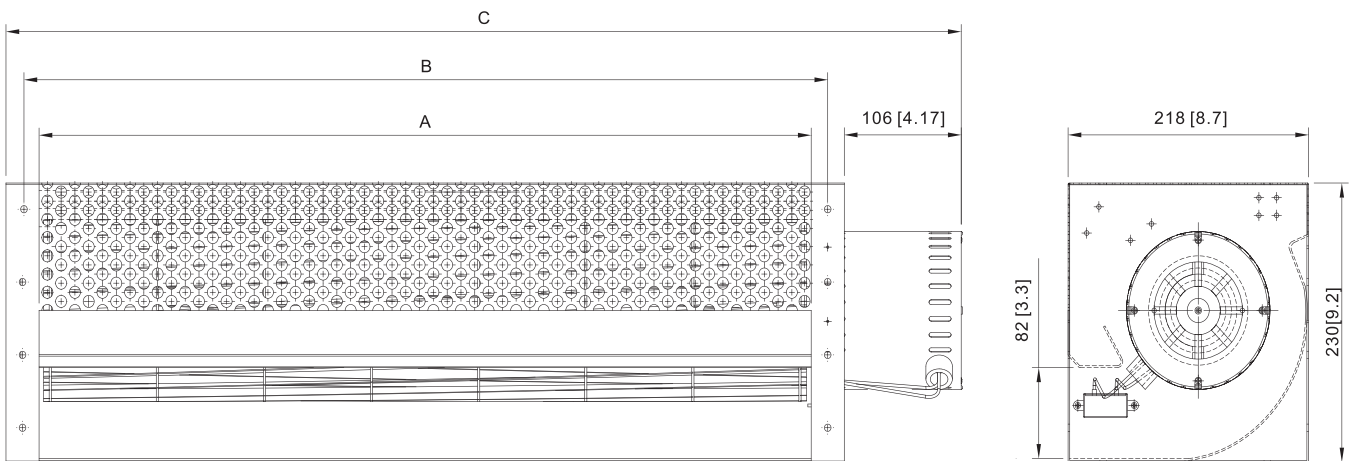


HOUSING  
IMPELLER  
BEARING  
OPERATING VOLTAGE

DIELECTRIC STRENGTH  
INSULATION  
INSULATION RESISTANCE  
OPERATING TEMPERATURE  
SAFETY  
ROHS COMPLIANCE  
MOTOR TYPE

Metal / Aluminum  
Aluminum, Ø150mm  
Ball  
85VAC to 125VAC for 115V Type  
185VAC to 245VAC for 230V Type  
1,500 VAC for 1 minute  
Class A  
10M Ohms Min. @500 VDC  
0°C to +45°C  
Thermally Protected  
Yes  
Capacitor Motor

## DIMENSION



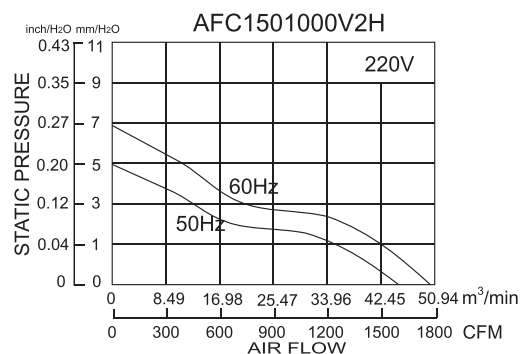
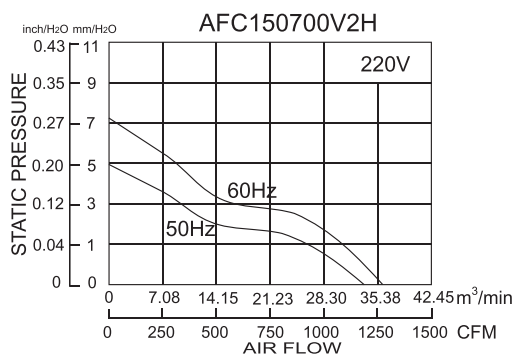
MODEL NO.	DIMENSION(mm)			WEIGHT (kg)
	A	B	C	
AFC150700V2H	700	730	866	13.6
AFC1501000V2H	1000	1030	1166	15.8

UNIT:mm[inch]

## SPECIFICATION

MODEL NO.	RATED VOLTAGE (V)	FREQUENCY (Hz)	RATED CURRENT (A)	INPUT POWER (W)	SPEED (RPM)	MAX. AIR PRESSURE		MAX. AIR FLOW		NOISE dB(A) @ 1M
						inchH <sub>2</sub> O	mmH <sub>2</sub> O	CFM	m <sup>3</sup> /min	
AFC150700V2H	220	50/60	1.2/1.1	156/210	950/1150	0.20/0.28	5.0/7.2	1168/1274	33/36	59/63
AFC1501000V2H	220	50/60	1.3/1.3	190/265	900/1100	0.20/0.27	5.0/6.9	1593/1770	45/50	59/63

## AIR PERFORMANCE

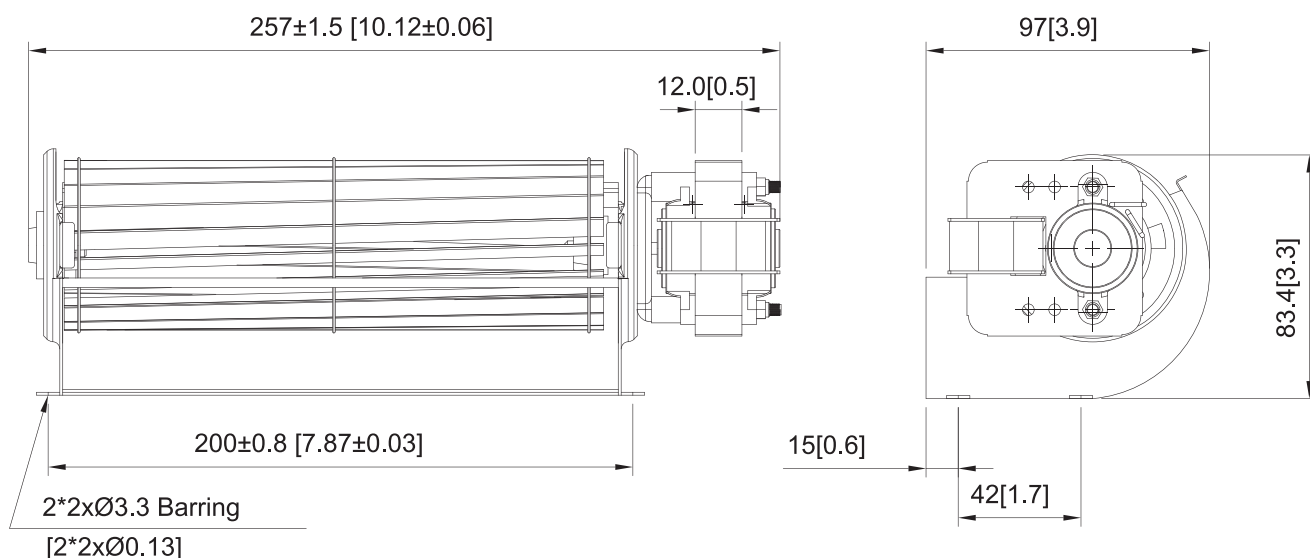


# AFG 60



HOUSING	Metal / Aluminum
IMPELLER	Aluminum, Ø60mm
BEARING	Ball
OPERATING VOLTAGE	85VAC to 125VAC for 115V Type 185VAC to 245VAC for 230V Type
DIELECTRIC STRENGTH	1,500 VAC for 1 minute
INSULATION	Class A
INSULATION RESISTANCE	10M Ohms Min.@500 VDC
OPERATING TEMPERATURE	0°C to + 45°C
SAFETY	Impedance Protected
WEIGHT	880g
ROHS COMPLIANCE	Yes
MOTOR TYPE	Shaded Pole Motor

## DIMENSION

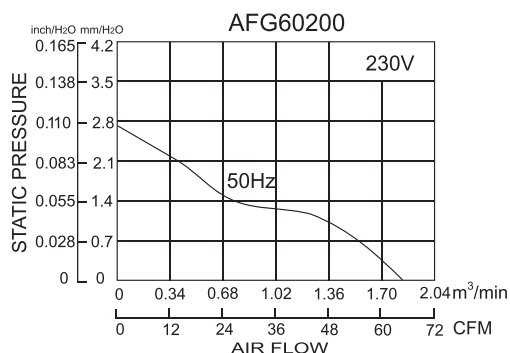
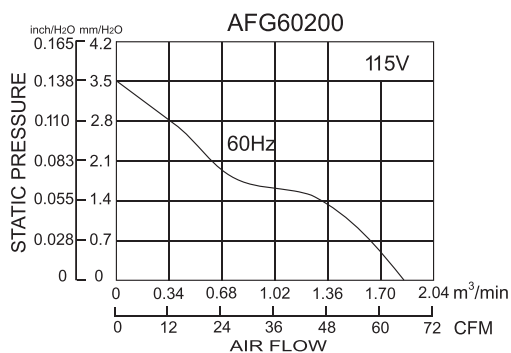


UNIT:mm[inch]

## SPECIFICATION

MODEL NO.	RATED VOLTAGE (V)	FREQUENCY (Hz)	RATED CURRENT (A)	INPUT POWER (W)	SPEED (RPM)	MAX. AIR PRESSURE		MAX. AIR FLOW		NOISE dB(A) @ 1M
						inchH <sub>2</sub> O	mmH <sub>2</sub> O	CFM	m <sup>3</sup> /min	
AFG60200V1H	115	60	0.31	18.5	1300	0.14	3.5	64	1.8	30
AFG60200V2H	230	50	0.15	15.8	1300	0.11	2.7	64	1.8	30

## AIR PERFORMANCE

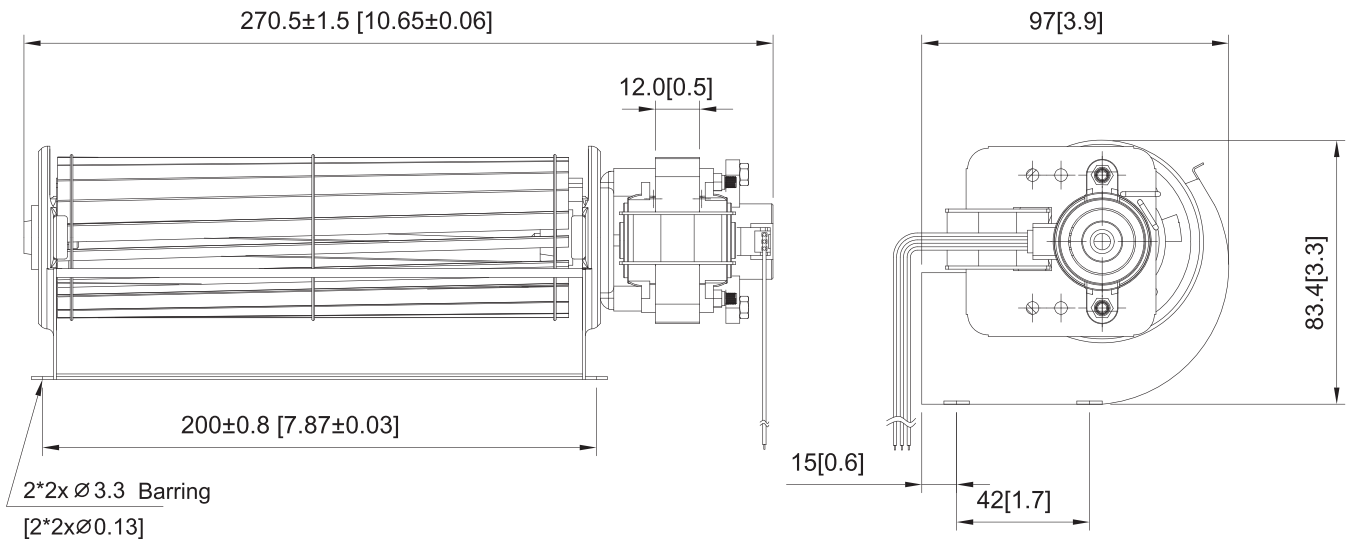


# AFG 60-FG



HOUSING	Metal / Aluminum
IMPELLER	Aluminum, Ø60mm
BEARING	Ball
OPERATING VOLTAGE	85VAC to 125VAC for 115V Type 185VAC to 245VAC for 230V Type
DIELECTRIC STRENGTH	1,500 VAC for 1 minute
INSULATION	Class A
INSULATION RESISTANCE	10M Ohms Min. @500 VDC
OPERATING TEMPERATURE	0°C to +45°C
SAFETY	Impedance Protected
WEIGHT	900g
ROHS COMPLIANCE	Yes
MOTOR TYPE	Shaded Pole Motor

## DIMENSION

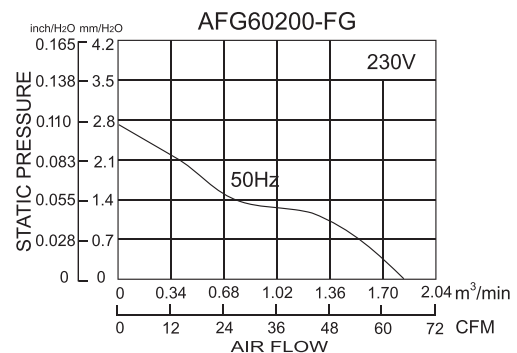
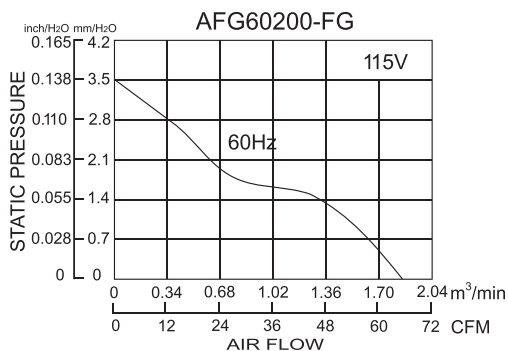


UNIT:mm[inch]

## SPECIFICATION

MODEL NO.	RATED VOLTAGE (V)	FREQUENCY (Hz)	RATED CURRENT (A)	INPUT POWER (W)	SPEED (RPM)	MAX. AIR PRESSURE		MAX. AIR FLOW		NOISE dB(A) @ 1M
						inchH <sub>2</sub> O	mmH <sub>2</sub> O	CFM	m <sup>3</sup> /min	
AFG60200V1H-FG	115	60	0.31	18.5	1300	0.14	3.5	64	1.8	30
AFG60200V2H-FG	230	50	0.15	15.8	1300	0.11	2.7	64	1.8	30

## AIR PERFORMANCE

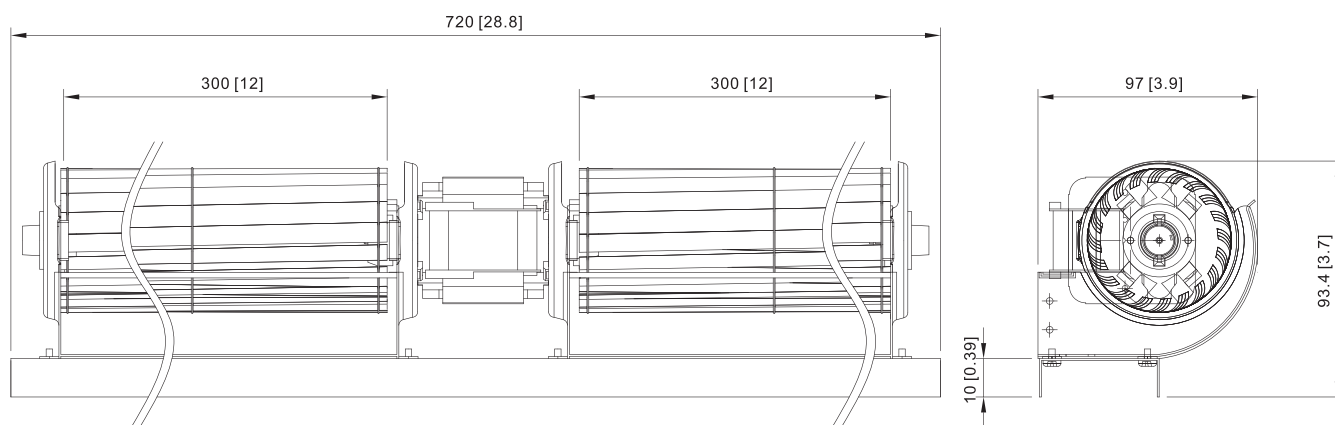


# AFG 60600



HOUSING	Metal / Aluminum
IMPELLER	Aluminum, Ø 60 mm
BEARING	Sleeve
OPERATING TEMPERATURE	85VAC to 125VAC for 115V Type 185VAC to 245VAC FOR 230V Type
DIELECTRIC STRENGTH	1,500VAC for 1 minute
INSULATION	Class A
INSULATION RESISTANCE	10M Ohms Min. @500 VDC
OPERATING TEMPERATURE	0°C to + 45°C
SAFETY	Impedance Protected
WEIGHT	2800g
ROHS COMPLIANCE	Yes
MOTOR TYPE	Shaded Pole Motor

## DIMENSION

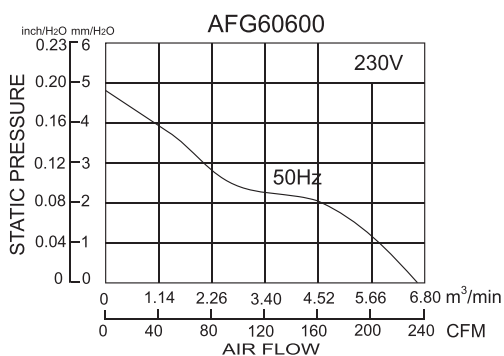


UNIT:mm[inch]

## SPECIFICATION

MODEL NO.	RATED VOLTAGE(V)	FREQUENCY (Hz)	RATED CURRENT(A)	INPUT POWER (W)	SPEED (RPM)	MAX. AIR PRESSURE		MAX. AIR FLOW		NOISE dB(A)@ 1M
						inchH <sub>2</sub> O	mmH <sub>2</sub> O	CFM	m <sup>3</sup> /min	
AFG60600V2HS	230	50	0.50	56	1400	0.19	4.8	234	6.6	43

## AIR PERFORMANCE





# AFS 30

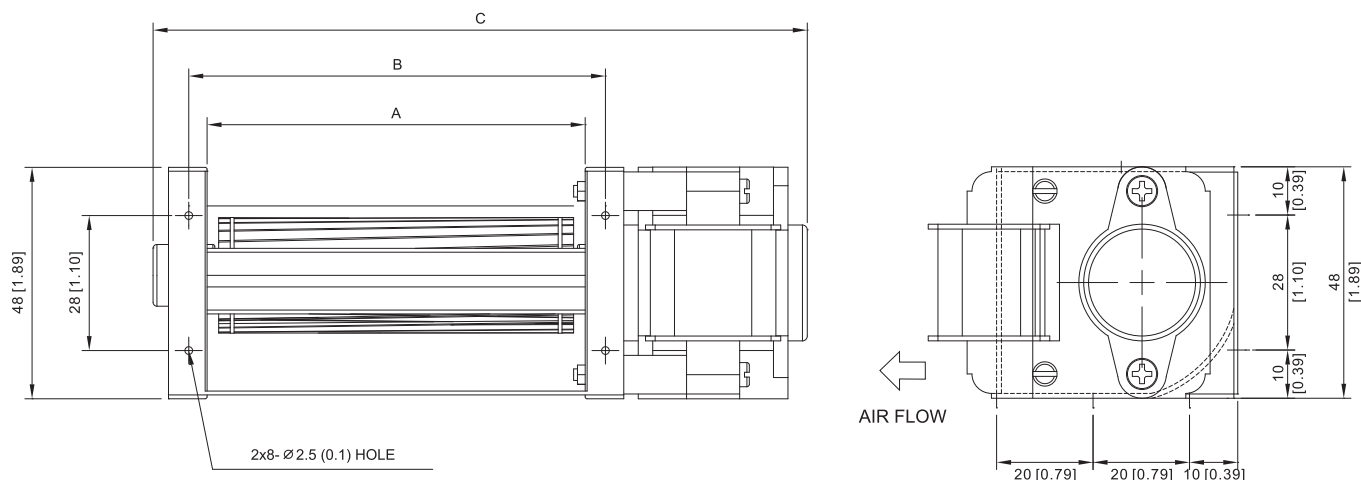


HOUSING  
IMPELLER  
BEARING  
OPERATING TEMPERATURE

DIELECTRIC STRENGTH  
INSULATION  
INSULATION RESISTANCE  
OPERATING TEMPERATURE  
SAFETY  
ROHS COMPLIANCE  
MOTOR TYPE

Metal / Aluminum  
Aluminum, 30 mm  
Ball or Sleeve  
85VAC to 125VAC for 115V Type  
185VAC to 245VAC FOR 230V Type  
1,500VAC for 1 minute  
Class A  
10M Ohms Min. @500 VDC  
0°C to +45°C  
Impedance Protected  
Yes  
Shaded Pole Motor

## DIMENSION



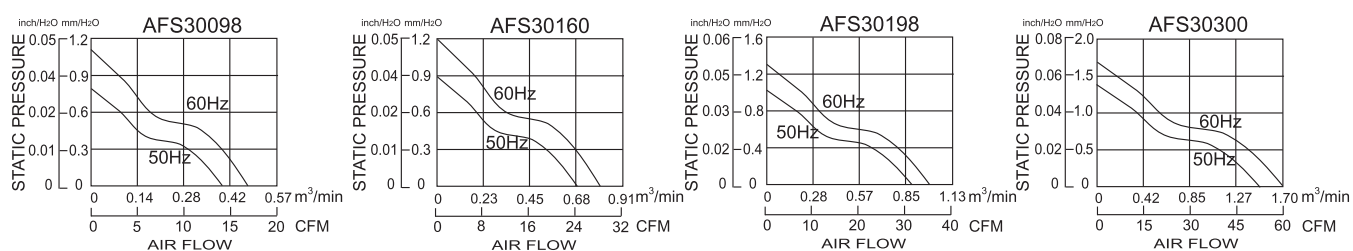
MODEL NO.	DIMENSION(mm)			WEIGHT (g)
	A	B	C	
AFS30098	98	108	154	390
AFS30160	160	170	222	520
AFS30198	198	208	260	540
AFS30300	300	310	366	670

UNIT:mm[inch]

## SPECIFICATION

MODEL NO.	RATED VOLTAGE(V)	FREQUENCY (Hz)	RATED CURRENT(A)	INPUT POWER (W)	SPEED (RPM)	MAX. AIR PRESSURE		MAX. AIR FLOW		NOISE dB(A)@ 1M
						inchH <sub>2</sub> O	mmH <sub>2</sub> O	CFM	m <sup>3</sup> /min	
AFS30098V1H	120	60	0.09	7	2900	0.04	1.1	17	0.5	24
AFS30098V2H	230	50	0.07	8	2500	0.03	0.8	14	0.4	21
AFS30160V1H	120	60	0.12	8	3100	0.05	1.2	28	0.8	30
AFS30160V2H	230	50	0.09	10	2700	0.04	0.9	24	0.7	27
AFS30198V1H	120	60	0.12	8	3100	0.05	1.3	35	1.0	30
AFS30198V2H	230	50	0.09	11	2700	0.04	1.0	32	0.9	27
AFS30300V1H	120	60	0.17	13	3100	0.07	1.7	60	1.7	34
AFS30300V1H	230	50	0.09	12	2700	0.06	1.4	53	1.5	32

## AIR PERFORMANCE

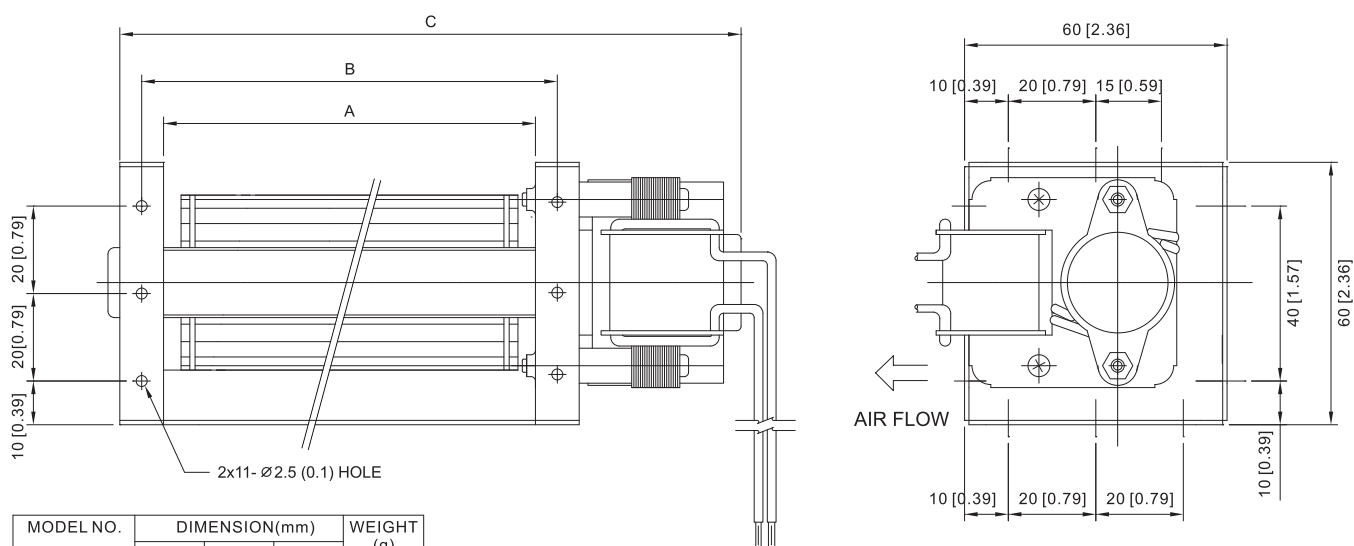


# AFS 40



HOUSING	Metal / Aluminum
IMPELLER	Aluminum, Ø 40 mm
BEARING	Ball or Sleeve
OPERATING TEMPERATURE	85VAC to 125VAC for 115V Type 185VAC to 245VAC FOR 230V Type
DIELECTRIC STRENGTH	1,500VAC for 1 minute
INSULATION	Class A
INSULATION RESISTANCE	10M Ohms Min. @500 VDC
OPERATING TEMPERATURE	0°C to + 45°C
SAFETY	Impedance Protected
ROHS COMPLIANCE	Yes
MOTOR TYPE	Shaded Pole Motor

## DIMENSION



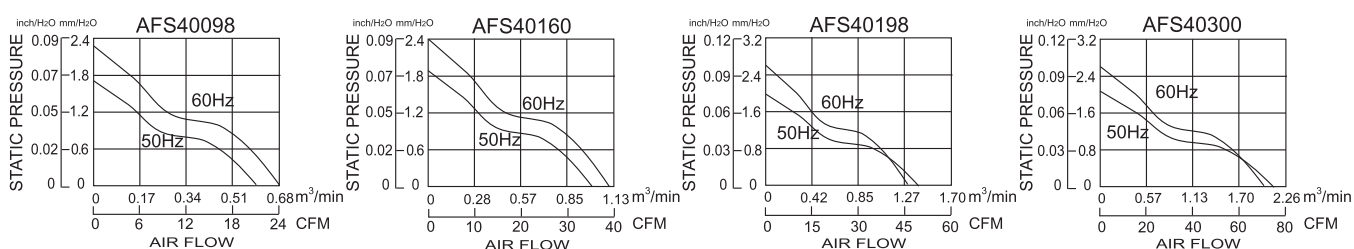
MODEL NO.	DIMENSION(mm)			WEIGHT (g)
	A	B	C	
AFS40098	98	108	160	520
AFS40160	160	170	222	560
AFS40198	198	208	260	600
AFS40300	300	310	366	730

UNIT:mm[inch]

## SPECIFICATION

MODEL NO.	RATED VOLTAGE(V)	FREQUENCY (Hz)	RATED CURRENT(A)	INPUT POWER (W)	SPEED (RPM)	MAX. AIR PRESSURE		MAX. AIR FLOW		NOISE dB(A)@ 1M
						inchH <sub>2</sub> O	mmH <sub>2</sub> O	CFM	m <sup>3</sup> /min	
AFS40098V1H	120	60	0.12	9	3000	0.09	2.3	24	0.7	33
AFS40098V2H	230	50	0.09	11	2700	0.07	1.7	21	0.6	29
AFS40160V1H	120	60	0.13	10	2800	0.09	2.4	39	1.1	34
AFS40160V2H	230	50	0.09	11	2600	0.07	1.9	35	1.0	30
AFS40198V1H	120	60	0.13	9	2400	0.10	2.6	46	1.3	31
AFS40198V2H	230	50	0.09	12	2500	0.08	2.0	49	1.4	33
AFS40300V1H	120	60	0.21	16	2200	0.10	2.6	70	2.0	35
AFS40300V1H	230	50	0.10	13	2400	0.08	2.1	74	2.1	37

## AIR PERFORMANCE



AC / DC Cross Flow Fan

# AFS 43

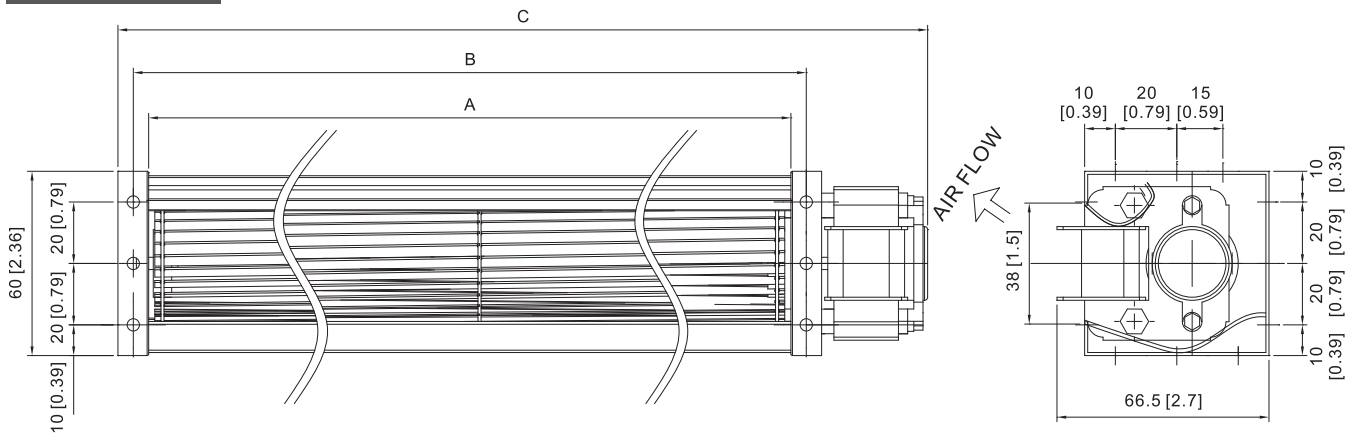


HOUSING  
IMPELLER  
BEARING  
OPERATING TEMPERATURE

Metal / Aluminum  
Aluminum,  $\varnothing$  43 mm  
Ball or Sleeve  
85VAC to 125VAC for 115V Type  
185VAC to 245VAC FOR 230V Type  
1,500VAC for 1 minute  
Class A  
10M Ohms Min. @500 VDC  
0°C to +45°C  
Impedance Protected  
Yes  
Shaded Pole Motor

DIELECTRIC STRENGTH  
INSULATION  
INSULATION RESISTANCE  
OPERATING TEMPERATURE  
SAFETY  
ROHS COMPLIANCE  
MOTOR TYPE

## DIMENSION



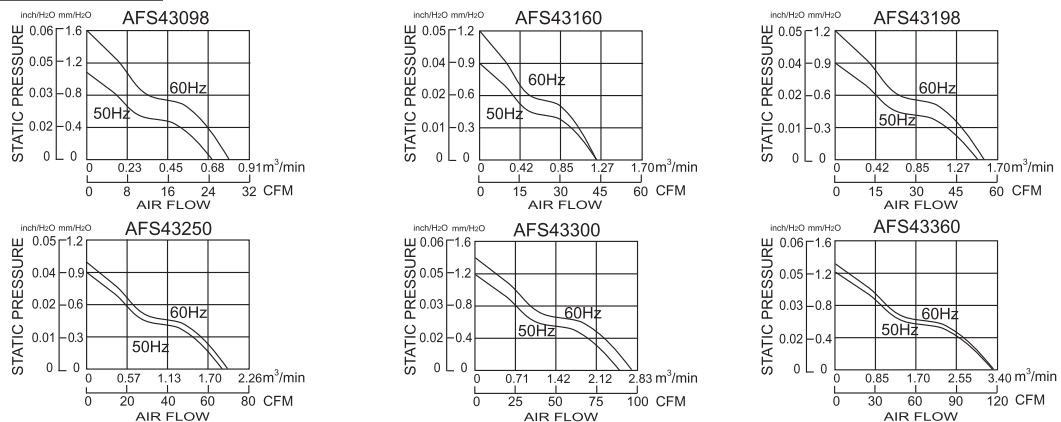
MODEL NO.	DIMENSION(mm)			WEIGHT (g)
	A	B	C	
AFS43098	98	108	160	520
AFS43160	160	170	222	550
AFS43198	198	208	264	650
AFS43250	250	260	315	680
AFS43300	300	310	375	890
AFS43360	360	370	435	920

UNIT:mm[inch]

## SPECIFICATION

MODEL NO.	RATED VOLTAGE(V)	FREQUENCY (Hz)	RATED CURRENT(A)	INPUT POWER (W)	SPEED (RPM)	MAX. AIR PRESSURE		MAX. AIR FLOW		NOISE dB(A)@ 1M
						inchH <sub>2</sub> O	mmH <sub>2</sub> O	CFM	m <sup>3</sup> /min	
AFS43098V1H	120	60	0.12	9	3000	0.06	1.6	28	0.8	35
AFS43098V2H	230	50	0.08	10	2600	0.04	1.1	25	0.7	33
AFS43160V1H	120	60	0.13	10	2500	0.05	1.2	42	1.2	35
AFS43160V2H	230	50	0.08	11	2500	0.04	0.9	42	1.2	35
AFS43198V1H	120	60	0.19	14	2500	0.05	1.2	56	1.6	35
AFS43198V2H	230	50	0.09	13	2400	0.04	0.9	53	1.5	32
AFS43250V1H	120	60	0.20	15	2300	0.04	1.0	70	1.8	33
AFS43250V2H	230	50	0.09	13	2300	0.04	0.9	63	1.8	33
AFS43300V1H	120	60	0.29	21	2900	0.06	1.4	95	2.7	40
AFS43300V2H	230	50	0.14	19	2500	1.05	1.2	88	2.5	37
AFS43360V1H	120	60	0.32	23	2500	0.05	1.3	117	3.3	38
AFS43360V2H	230	50	0.15	20	2400	0.05	1.2	113	3.2	36

## AIR PERFORMANCE

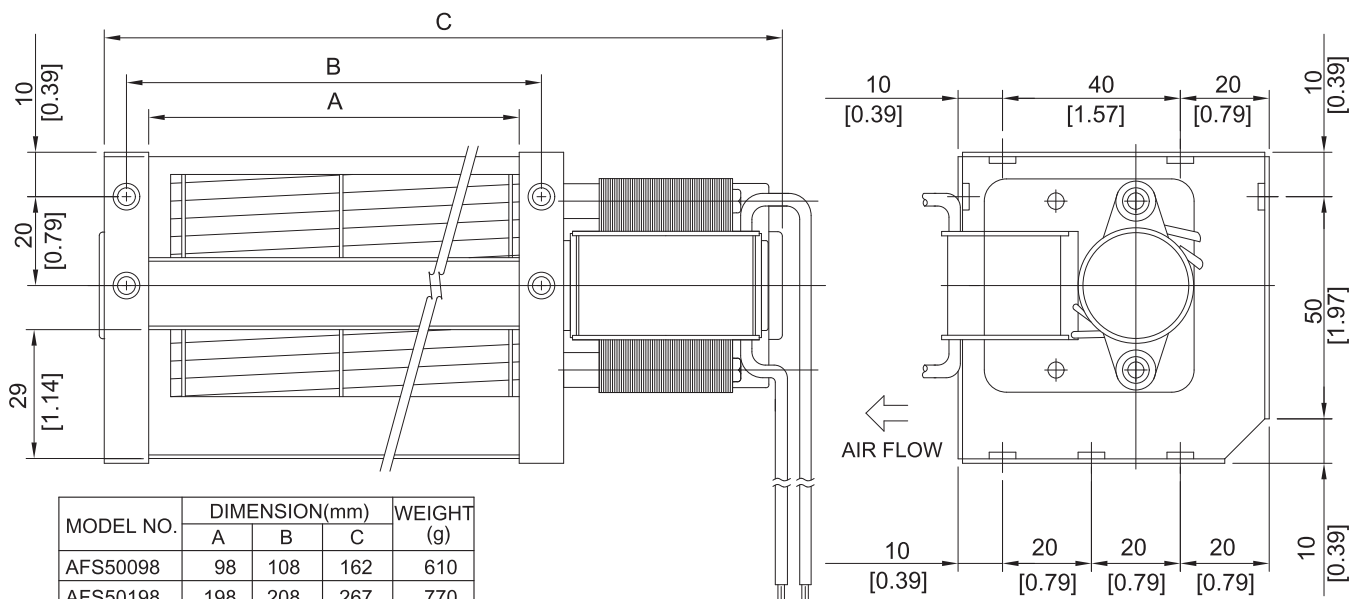


# AFS 50



HOUSING	Metal / Aluminum
IMPELLER	Aluminum, Ø50 mm
BEARING	Ball or Sleeve
OPERATING TEMPERATURE	85VAC to 125VAC for 115V Type 185VAC to 245VAC FOR 230V Type
DIELECTRIC STRENGTH	1,500VAC for 1 minute
INSULATION	Class A
INSULATION RESISTANCE	10M Ohms Min. @500 VDC
OPERATING TEMPERATURE	0°C to + 45°C
SAFETY	Impedance Protected
ROHS COMPLIANCE	Yes
MOTOR TYPE	Shaded Pole Motor

## DIMENSION



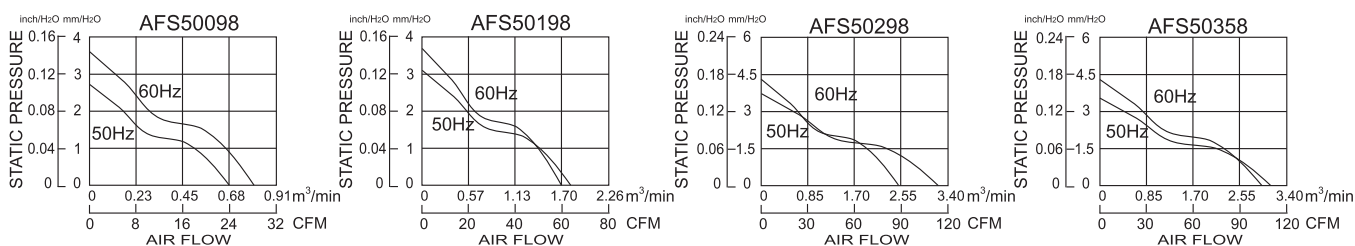
MODEL NO.	DIMENSION(mm)			WEIGHT (g)
	A	B	C	
AFS50098	98	108	162	610
AFS50198	198	208	267	770
AFS50298	298	308	377	1100
AFS50358	358	368	437	1200

UNIT:mm[inch]

## SPECIFICATION

MODEL NO.	RATED VOLTAGE(V)	FREQUENCY (Hz)	RATED CURRENT(A)	INPUT POWER (W)	SPEED (RPM)	MAX. AIR PRESSURE		MAX. AIR FLOW		NOISE dB(A)@ 1M
						inchH <sub>2</sub> O	mmH <sub>2</sub> O	CFM	m <sup>3</sup> /min	
AFS50098V1H	120	60	0.13	10	2600	0.14	3.6	28	0.8	37
AFS50098V2H	230	50	0.09	11	2500	0.11	2.7	24	0.7	36
AFS50198V1H	120	60	0.21	16	1800	0.15	3.7	60	1.7	33
AFS50198V2H	230	50	0.10	14	2100	0.12	3.1	63	1.8	35
AFS50298V1H	120	60	0.33	24	2000	0.17	4.3	88	2.5	37
AFS50298V2H	230	50	0.15	21	2300	0.15	3.7	116	3.3	41
AFS50358V1H	120	60	0.33	23	2000	0.17	4.3	103	2.9	36
AFS50358V2H	230	50	0.15	20	2200	0.14	3.5	110	3.0	40

## AIR PERFORMANCE



# AFS 60

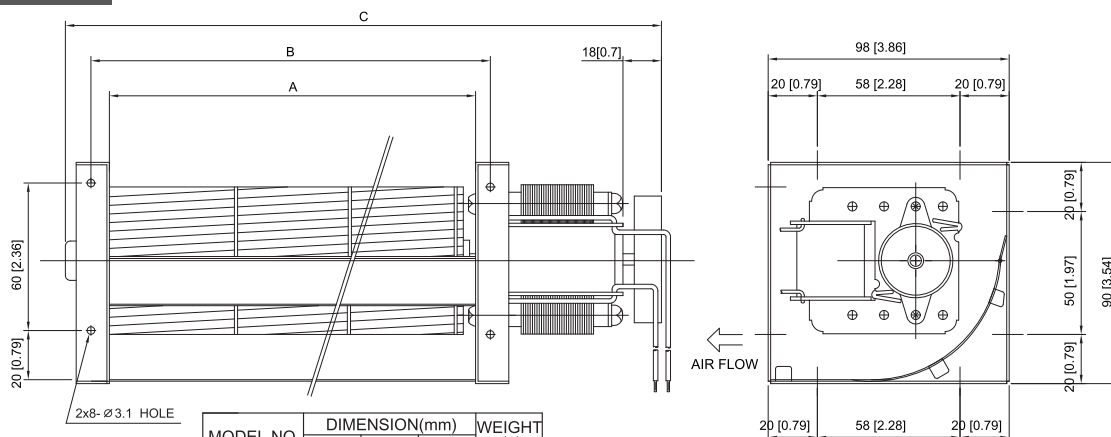


HOUSING  
IMPELLER  
BEARING  
OPERATING TEMPERATURE

Metal / Aluminum  
Aluminum, Ø60 mm  
Ball or Sleeve  
85VAC to 125VAC for 115V Type  
185VAC to 245VAC FOR 230V Type  
1,500VAC for 1 minute  
Class A  
10M Ohms Min. @500 VDC  
0°C to +45°C  
Impedance Protected  
Yes  
Shaded Pole Motor

DIELECTRIC STRENGTH  
INSULATION  
INSULATION RESISTANCE  
OPERATING TEMPERATURE  
SAFETY  
ROHS COMPLIANCE  
MOTOR TYPE

## DIMENSION



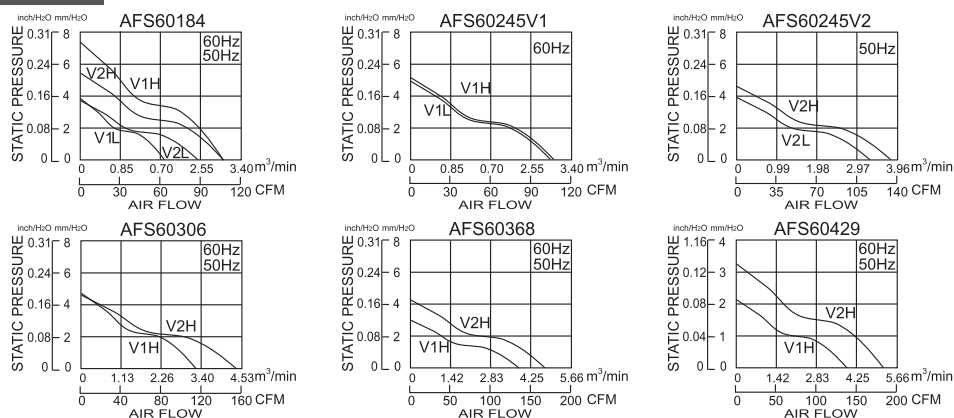
MODEL NO.	DIMENSION(mm)			WEIGHT (g)
	A	B	C	
AFS60184H	184	199	280	1350
AFS60184L	184	199	275	1200
AFS60245H	245	260	341	1500
AFS60245L	245	260	341	1400
AFS60306	306	321	402	1500
AFS60368	368	383	464	1600
AFS60429	429	444	525	1650

UNIT:mm[inch]

## SPECIFICATION

MODEL NO.	RATED VOLTAGE(V)	FREQUENCY (Hz)	RATED CURRENT(A)	INPUT POWER (W)	SPEED (RPM)	MAX. AIR PRESSURE		MAX. AIR FLOW		NOISE dB(A)@ 1M
						inchH <sub>2</sub> O	mmH <sub>2</sub> O	CFM	m <sup>3</sup> /min	
AFS60184V1H	120	60	0.55	37	2500	0.29	7.3	106	3.0	47
AFS60184V1L	120	60	0.33	23	1700	0.15	3.8	63	1.8	41
AFS60184V2H	230	50	0.27	34	2500	0.21	5.4	106	3.0	47
AFS60184V2L	230	50	0.17	23	2000	0.15	3.7	88	2.5	43
AFS60245V1H	120	60	0.60	42	2000	0.20	5.1	106	3.0	44
AFS60245V1L	120	60	0.42	31	1900	0.19	4.9	102	2.9	39
AFS60245V2H	230	50	0.27	35	2200	0.18	4.6	133	3.8	46
AFS60245V2L	230	50	0.23	31	2000	0.15	3.9	118	3.3	46
AFS60306V1H	120	60	0.63	42	1900	0.19	4.7	114	3.2	44
AFS60306V2H	230	50	0.28	36	2200	0.18	4.6	154	4.4	46
AFS60368V1H	120	60	0.64	43	1700	0.12	3.0	133	3.8	40
AFS60368V2H	230	50	0.30	38	2000	0.17	4.2	167	4.7	46
AFS60429V1H	120	60	0.64	44	1600	0.09	2.2	139	3.9	40
AFS60429V2H	230	50	0.31	40	1800	0.13	3.3	180	5.1	45

## AIR PERFORMANCE

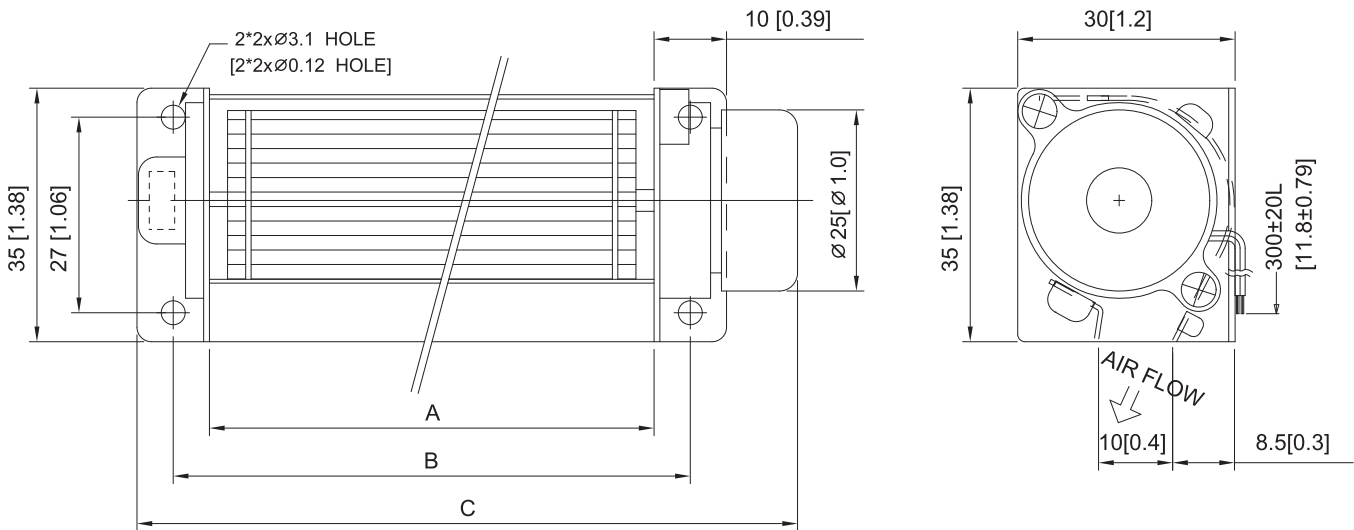


# DF 25



HOUSING	Metal / Aluminum
IMPELLER	Aluminum, Ø25 mm
BEARING	Ball
OPERATING TEMPERATURE	0°C to + 45°C
INSULATION RESISTANCE	10M Ohms Min. @500 VDC
DIELECTRIC STRENGTH	5mA Max.at 500VAC for 1 minute
ROHS COMPLIANCE	Yes
MOTOR TYPE	DC Brushless Motor

## DIMENSION



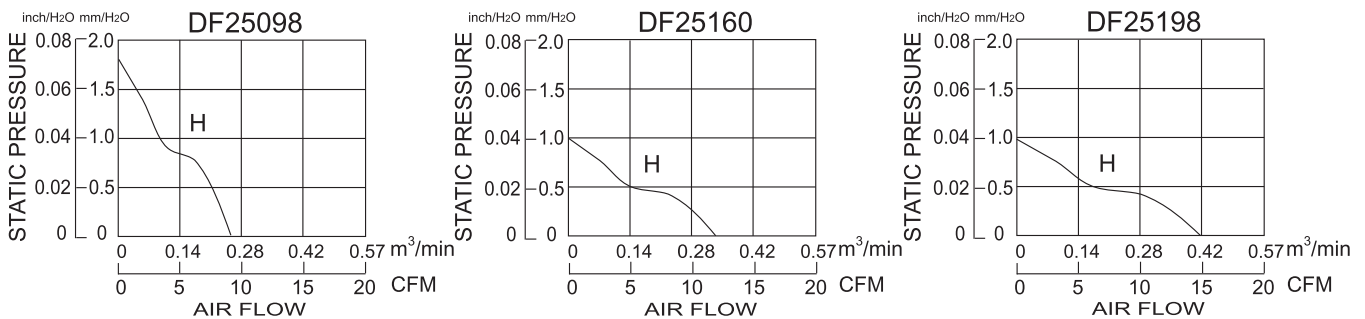
MODEL NO.	DIMENSION(mm)			WEIGHT (g)
	A	B	C	
DF25098	98	108	129	80
DF25160	160	170	191	100
DF25198	198	208	229	110

UNIT:mm[inch]

## SPECIFICATION

MODEL NO.	RATED VOLTAGE(V)	RATED CURRENT(A)	INPUT POWER (W)	SPEED (RPM)	MAX. AIR PRESSURE		MAX. AIR FLOW		NOISE dB(A)@ 1M
					inchH <sub>2</sub> O	mmH <sub>2</sub> O	CFM	m <sup>3</sup> /min	
DF25098V12H	12	0.13	1.56	4000	0.07	1.8	9	0.25	30
DF25160V12H	12	0.13	1.56	3400	0.04	1.0	12	0.35	31
DF25198V12H	12	0.13	1.56	3300	0.04	1.0	15	0.43	35

## AIR PERFORMANCE



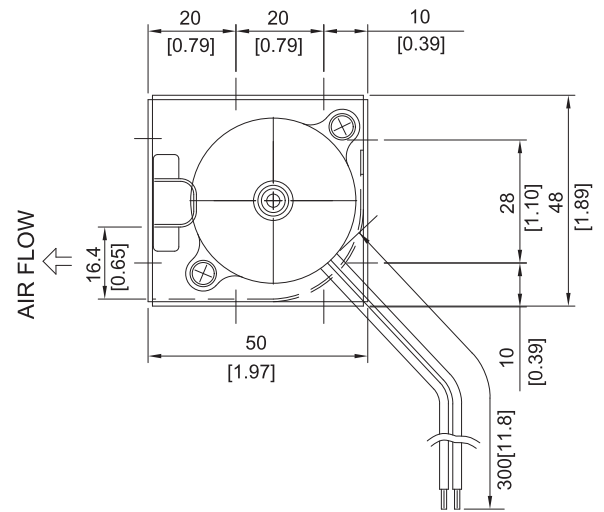
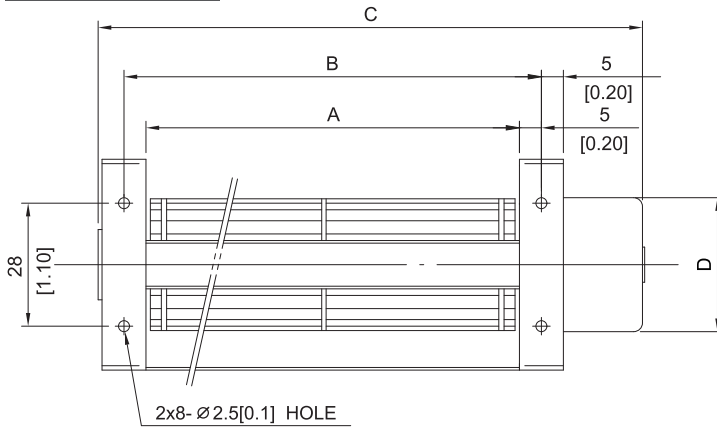
AC / DC Cross Flow Fan

# DF 30



HOUSING	Metal / Aluminum
IMPELLER	Aluminum, $\varnothing 30$ mm
BEARING	Ball
OPERATING TEMPERATURE	0°C to + 45°C
INSULATION RESISTANCE	10M Ohms Min. @500 VDC
DIELECTRIC STRENGTH	5mA Max.at 500VAC for 1 minute
ROHS COMPLIANCE	Yes
MOTOR TYPE	DC Brushless Motor

## DIMENSION



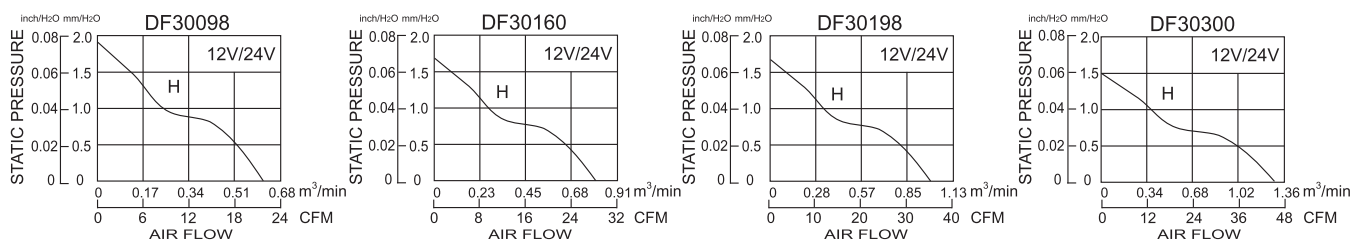
MODEL NO.	DIMENSION(mm)				WEIGHT (g)
	A	B	C	D	
DF30098	98	108	134	31	180
DF30160	160	170	196	31	210
DF30198	198	208	234	31	230
DF30300	300	310	336	31	290
DF30300Q	300	310	345	38	300

UNIT:mm[inch]

## SPECIFICATION

MODEL NO.	RATED VOLTAGE(V)	RATED CURRENT(A)	INPUT POWER (W)	SPEED (RPM)	MAX. AIR PRESSURE		MAX. AIR FLOW		NOISE dB(A)@ 1M
					inchH <sub>2</sub> O	mmH <sub>2</sub> O	CFM	m <sup>3</sup> /min	
DF30098V12H	12	0.15	1.80	3200	0.07	1.9	22	0.6	29
DF30098V24H	24	0.18	4.32	3200	0.07	1.9	22	0.6	29
DF30160V12H	12	0.16	1.92	3100	0.07	1.7	28	0.8	30
DF30160V24H	24	0.15	3.60	3100	0.07	1.7	28	0.8	30
DF30198V12H	12	0.20	2.40	2900	0.07	1.7	35	1.0	31
DF30198V24H	24	0.16	3.84	2900	0.07	1.7	35	1.0	31
DF30300V12H	12	0.22	2.64	2600	0.06	1.5	46	1.3	33
DF30300V24H	24	0.20	4.80	2600	0.06	1.5	46	1.3	33
DF30300V12HQ	12	0.28	3.36	2800	0.06	1.6	53	1.5	52
DF30300V24HQ	24	0.15	3.60	2800	0.06	1.6	53	1.5	52

## AIR PERFORMANCE

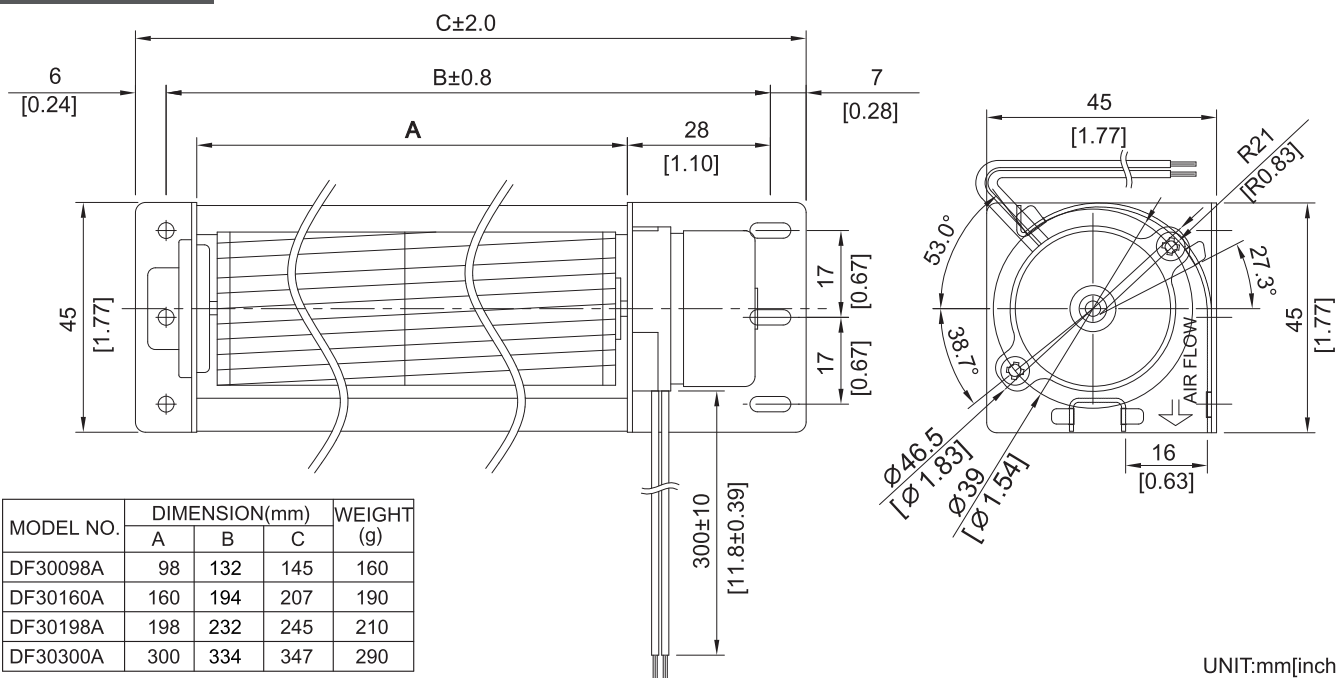


# DF 30A



HOUSING	Metal / Aluminum
IMPELLER	Aluminum, Ø30 mm
BEARING	Ball
OPERATING TEMPERATURE	0°C to + 45°C
INSULATION RESISTANCE	10M Ohms Min. @500 VDC
DIELECTRIC STRENGTH	5mA Max.at 500VAC for 1 minute
ROHS COMPLIANCE	Yes
MOTOR TYPE	DC Brushless Motor

## DIMENSION



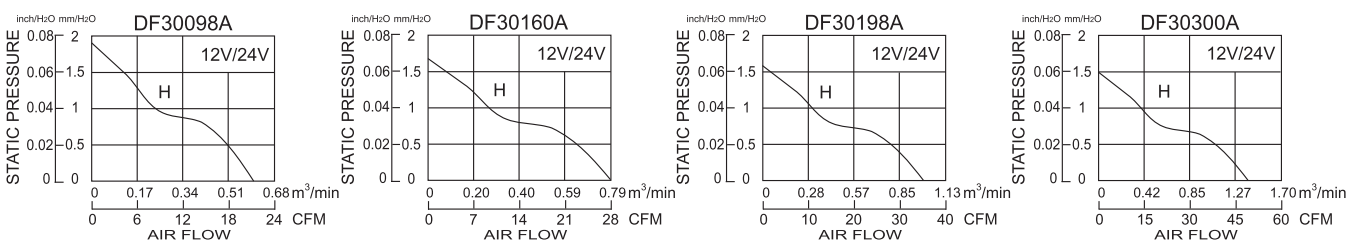
MODEL NO.	DIMENSION(mm)			WEIGHT (g)
	A	B	C	
DF30098A	98	132	145	160
DF30160A	160	194	207	190
DF30198A	198	232	245	210
DF30300A	300	334	347	290

UNIT:mm[inch]

## SPECIFICATION

MODEL NO.	RATED VOLTAGE (V)	RATED CURRENT (A)	INPUT POWER (W)	SPEED (RPM)	MAX. AIR PRESSURE		MAX. AIR FLOW		NOISE dB(A)@ 1M
					inchH <sub>2</sub> O	mmH <sub>2</sub> O	CFM	m <sup>3</sup> /min	
DF30098V12HA	12	0.15	1.80	3200	0.07	1.9	21	0.6	29
DF30198V24HA	24	0.15	3.60	3200	0.07	1.9	21	0.6	29
DF30160V12HA	12	0.18	2.16	3100	0.07	1.7	28	0.8	30
DF30160V24HA	24	0.16	3.84	3100	0.07	1.7	28	0.8	30
DF30198V12HA	12	0.20	2.40	2900	0.06	1.6	35	1.0	31
DF30198V24HA	24	0.16	3.84	2900	0.06	1.6	35	1.0	31
DF30300V12HA	12	0.22	2.64	2600	0.06	1.5	49	1.3	33
DF30300V24HA	24	0.20	4.80	2600	0.06	1.5	49	1.3	33

## AIR PERFORMANCE



AC / DC Cross Flow Fan

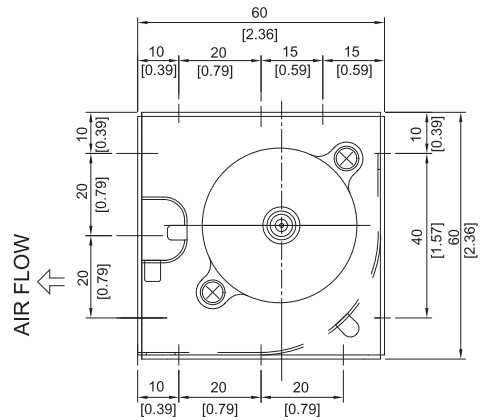
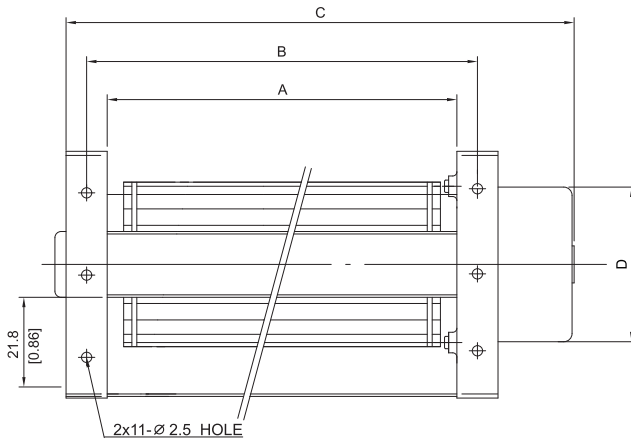


# DF 40



**HOUSING** Metal / Aluminum  
**IMPELLER** Aluminum, Ø40 mm  
**BEARING** Ball  
**OPERATING TEMPERATURE** 0°C to + 45°C  
**INSULATION RESISTANCE** 10M Ohms Min. @500 VDC  
**DIELECTRIC STRENGTH** 5mA Max.at 500VAC for 1 minute  
**ROHS COMPLIANCE** Yes  
**MOTOR TYPE** DC Brushless Motor

## DIMENSION



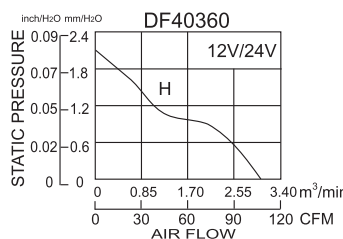
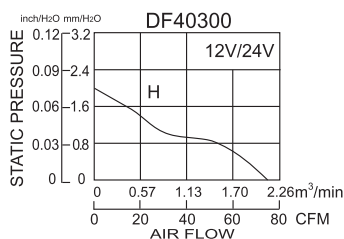
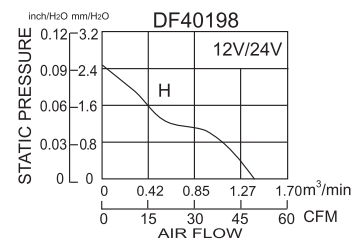
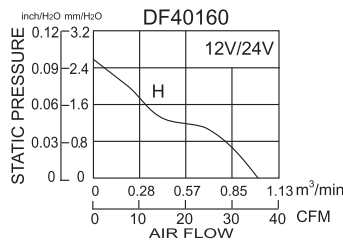
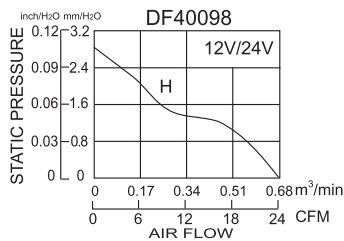
MODEL NO.	DIMENSION(mm)				WEIGHT (g)
	A	B	C	D	
DF40098	98	108	144	31	220
DF40160	160	170	206	31	260
DF40198	198	208	246	38	310
DF40300	300	310	348	38	410
DF40360	360	370	416	50	570

UNIT:mm[inch]

## SPECIFICATION

MODEL NO.	RATED VOLTAGE (V)	RATED CURRENT (A)	INPUT POWER (W)	SPEED (RPM)	MAX. AIR PRESSURE		MAX. AIR FLOW		NOISE dB(A)@ 1M
					inchH <sub>2</sub> O	mmH <sub>2</sub> O	CFM	m <sup>3</sup> /min	
DF40098V12H	12	0.20	2.40	3000	0.11	2.9	24	0.7	33
DF40098V24H	24	0.15	3.60	3000	0.11	2.9	24	0.7	33
DF40160V12H	12	0.25	3.00	2600	0.10	2.6	35	1.0	31
DF40160V24H	24	0.20	0.48	2600	0.10	2.6	35	1.0	31
DF40198V12H	12	0.30	3.60	2500	0.10	2.5	49	1.4	33
DF40198V24H	24	0.20	4.60	2500	0.10	2.5	49	1.4	33
DF40300V12H	12	0.40	4.80	2300	0.08	2.0	74	2.1	33
DF40300V24H	24	0.20	1.80	2300	0.08	2.0	74	2.1	33
DF40360V12H	12	0.60	7.20	2600	0.08	2.1	106	3.0	42
DF40360V24H	24	0.40	9.60	2600	0.08	2.1	106	3.0	42

## AIR PERFORMANCE

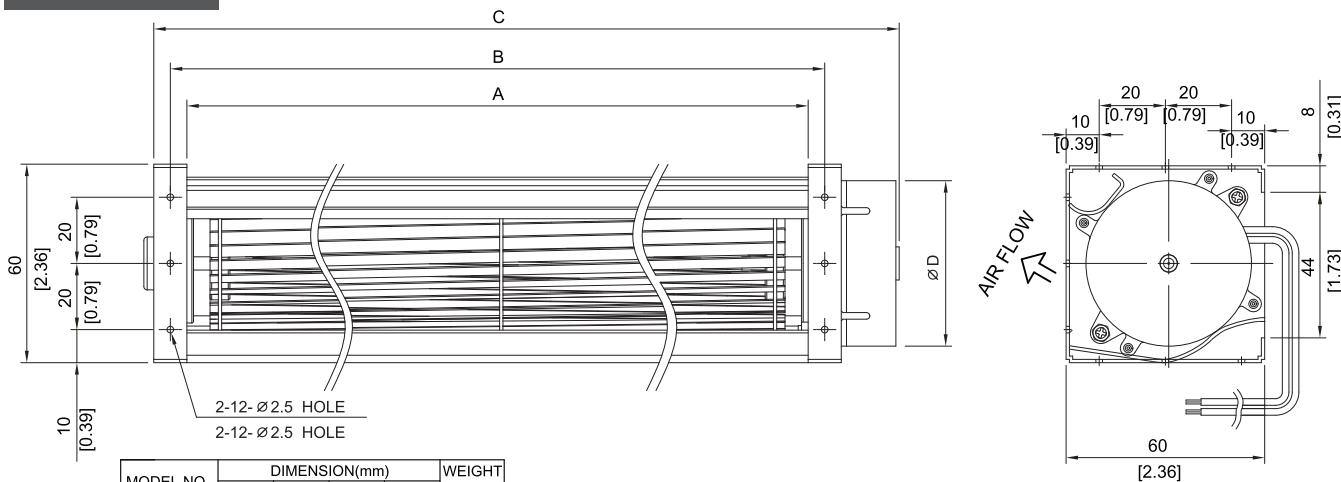


# DF 43



**HOUSING** Metal / Aluminum  
**IMPELLER** Aluminum, Ø43 mm  
**BEARING** Ball  
**OPERATING TEMPERATURE** 0°C to +45°C  
**INSULATION RESISTANCE** 10M Ohms Min. @500 VDC  
**DIELECTRIC STRENGTH** 5mA Max. at 500VAC for 1 minute  
**ROHS COMPLIANCE** Yes  
**MOTOR TYPE** DC Brushless Motor

## DIMENSION



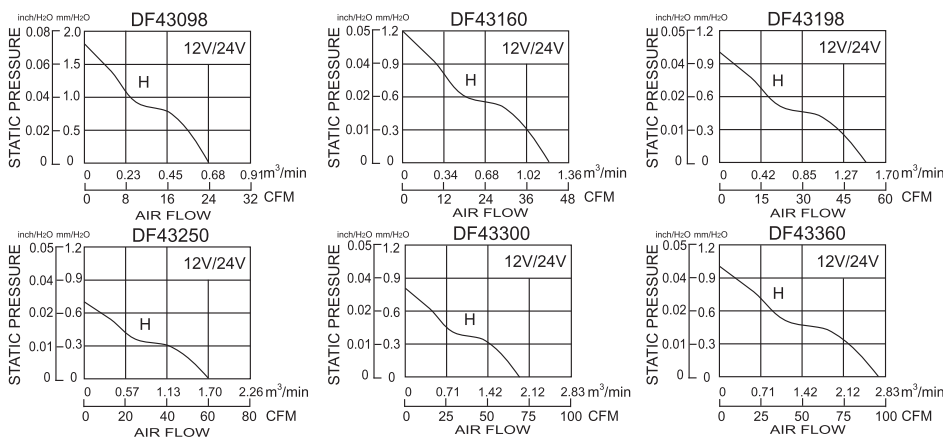
MODEL NO.	DIMENSION(mm)				WEIGHT (g)
	A	B	C	D	
DF43098	98	108	144	31	220
DF43160	160	170	208	38	270
DF43198	198	208	246	38	310
DF43250	250	260	298	38	350
DF43300	300	310	348	38	380
DF43360	350	370	416	50	570

UNIT:mm[inch]

## SPECIFICATION

MODEL NO.	RATED VOLTAGE (V)	RATED CURRENT (A)	INPUT POWER (W)	SPEED (RPM)	MAX. AIR PRESSURE		MAX. AIR FLOW		NOISE dB(A)@ 1M
					inchH <sub>2</sub> O	mmH <sub>2</sub> O	CFM	m <sup>3</sup> /min	
DF43098V12H	12	0.22	2.64	2800	0.07	1.8	24	0.7	36
DF43098V24H	24	0.18	4.32	2800	0.07	1.8	24	0.7	36
DF43160V12H	12	0.35	4.20	2500	0.05	1.2	42	1.2	37
DF43160V24H	24	0.20	4.80	2500	0.05	1.2	42	1.2	37
DF43198V12H	12	0.35	4.20	2400	0.04	1.0	53	1.5	39
DF43198V24H	24	0.20	4.80	2400	0.04	1.0	53	1.5	28
DF43250V12H	12	0.42	5.04	2200	0.03	0.7	60	1.7	34
DF43250V24H	24	0.22	5.28	2200	0.03	0.7	60	1.7	34
DF43300V12H	12	0.45	5.40	2100	0.03	0.8	70	2.0	34
DF43300V24H	24	0.25	6.00	2100	0.03	0.8	70	2.0	34
DF43360V12H	12	0.55	6.60	2500	0.04	1.0	95	2.7	45
DF43360V24H	24	0.35	8.40	2500	0.04	1.0	95	2.7	45

## AIR PERFORMANCE



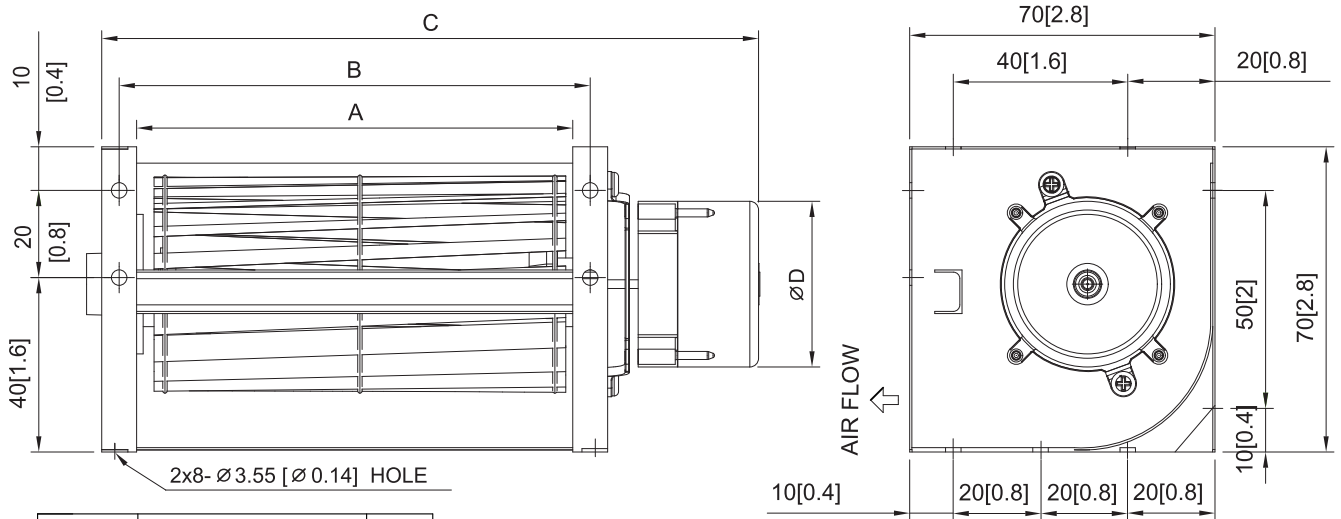
# DF 50



HOUSING  
IMPELLER  
BEARING  
OPERATING TEMPERATURE  
INSULATION RESISTANCE  
DIELECTRIC STRENGTH  
ROHS COMPLIANCE  
MOTOR TYPE

Metal / Aluminum  
Aluminum,  $\varnothing 50$  mm  
Ball  
0°C to +45°C  
10M Ohms Min. @500 VDC  
5mA Max.at 500VAC for 1 minute  
Yes  
DC Brushless Motor

## DIMENSION



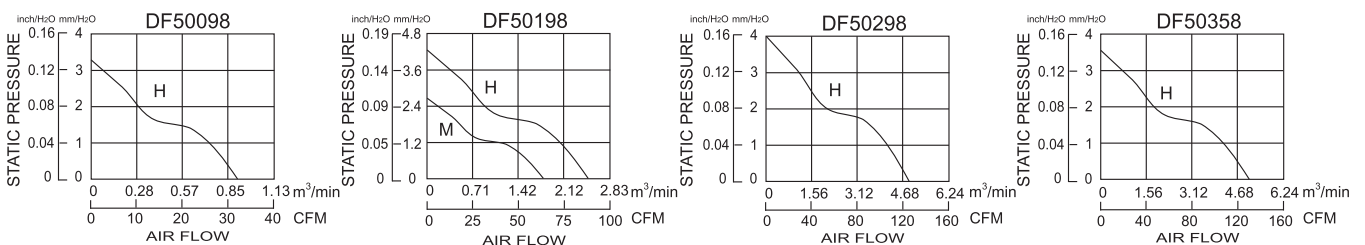
MODEL NO.	DIMENSION(mm)				WEIGHT (g)
	A	B	C	D	
DF50098	98	108	155	38	330
DF50198	198	208	255	50	600
HDF50198	198	208	255	38	450
MDF50298	298	308	360	50	700
DF50358	358	368	420	50	770

UNIT:mm[inch]

## SPECIFICATION

MODEL NO.	RATED VOLTAGE (V)	RATED CURRENT (A)	INPUT POWER (W)	SPEED (RPM)	MAX. AIR PRESSURE		MAX. AIR FLOW		NOISE dB(A)@ 1M
					inchH <sub>2</sub> O	mmH <sub>2</sub> O	CFM	m <sup>3</sup> /min	
DF50098V12H	12	0.30	3.60	2800	0.13	3.3	32	0.91	36
DF50098V24H	24	0.18	4.32	2800	0.13	3.3	32	0.91	36
DF50198V12H	12	0.60	7.20	2500	0.17	4.3	88	0.09	46
DF50198V24H	24	0.47	5.64	2000	0.10	2.6	63	1.78	34
DF50198V12M	12	0.40	9.60	2500	0.17	4.3	88	0.09	46
DF50198V24M	24	0.24	5.76	2000	0.10	2.6	63	1.78	34
DF50298V12H	12	0.65	7.80	2400	0.16	4.0	124	3.51	43
DF50298V24H	24	0.40	9.60	2400	0.16	4.0	124	3.51	43
DF50358V12H	12	0.75	9.00	2300	0.14	3.6	131	3.70	42
DF50358V24H	24	0.45	10.80	2300	0.14	3.6	131	3.70	42

## AIR PERFORMANCE

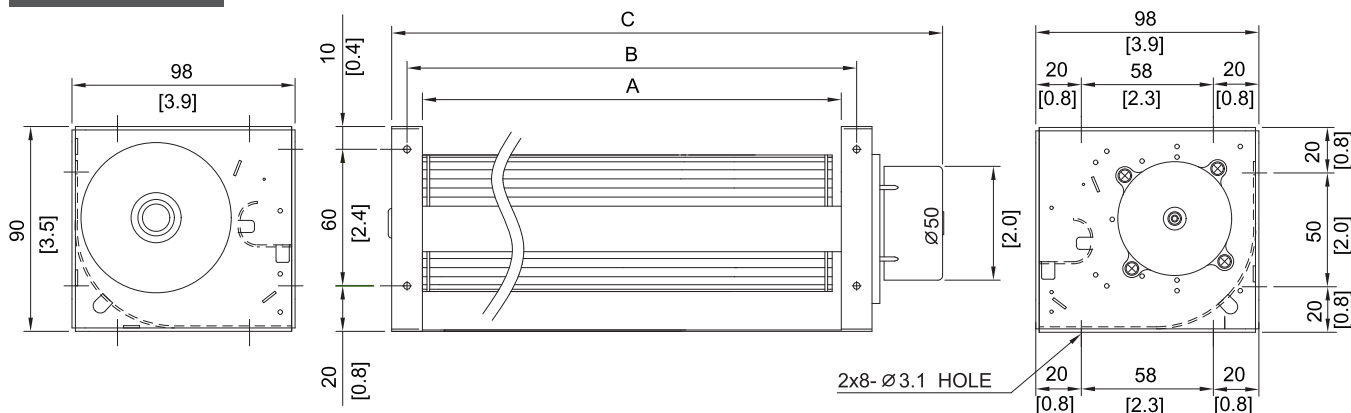


# DF 60



**HOUSING** Metal / Aluminum  
**IMPELLER** Aluminum, Ø60 mm  
**BEARING** Ball  
**OPERATING TEMPERATURE** 0°C to + 45°C  
**INSULATION RESISTANCE** 10M Ohms Min. @500 VDC  
**DIELECTRIC STRENGTH** 5mA Max. at 500VAC for 1 minute  
**ROHS COMPLIANCE** Yes  
**MOTOR TYPE** DC Brushless Motor

## DIMENSION



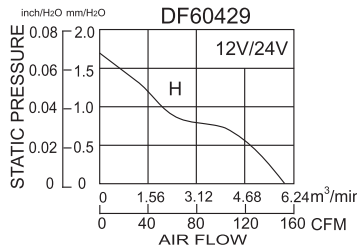
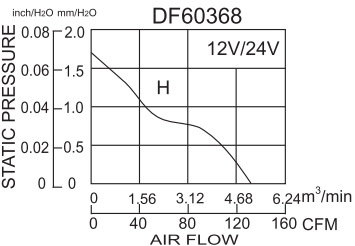
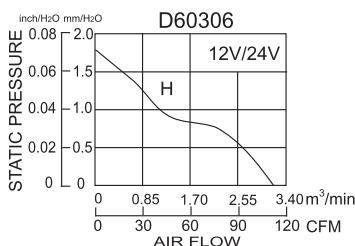
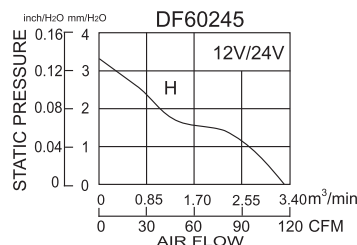
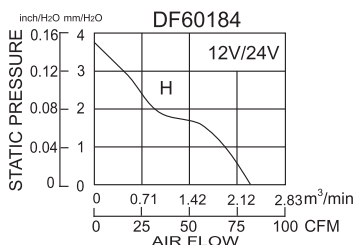
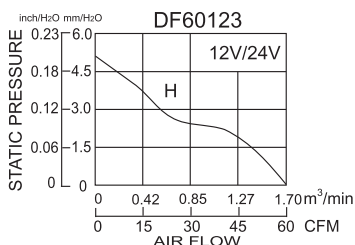
MODEL NO.	DIMENSION(mm)			WEIGHT (g)
	A	B	C	
DF60123	123	138	183	620
DF60184	184	199	244	700
DF60245	245	260	305	770
DF60306	306	321	366	840
DF60368	368	383	428	930
DF60429	429	444	489	1000

UNIT:mm[inch]

## SPECIFICATION

MODEL NO.	RATED VOLTAGE (V)	RATED CURRENT (A)	INPUT POWER (W)	SPEED (RPM)	MAX. AIR PRESSURE		MAX. AIR FLOW		NOISE dB(A)@ 1M
					inchH <sub>2</sub> O	mmH <sub>2</sub> O	CFM	m <sup>3</sup> /min	
DF60123V12H	12	0.60	7.2	2500	0.20	5.1	60	1.7	46
DF60123V24H	24	0.40	9.6	2500	0.20	5.1	60	1.7	46
DF60184V12H	12	0.80	9.6	2200	0.15	3.8	88	2.5	44
DF60184V24H	24	0.45	10.8	2200	0.15	3.8	88	2.5	44
DF60245V12H	12	1.00	12.0	2000	0.13	3.3	117	3.2	42
DF60245V24H	24	0.55	13.2	2000	0.13	3.3	117	3.2	42
DF60306V12H	12	0.50	6.00	1600	0.07	1.8	113	3.3	38
DF60306V24H	24	0.25	6.00	1600	0.07	1.8	113	3.3	38
DF60368V12H	12	0.55	6.60	1500	0.07	1.7	131	3.7	36
DF60368V24H	24	0.25	6.00	1500	0.07	1.7	131	3.7	36
DF60429V12H	12	0.60	7.20	1400	0.07	1.7	156	4.4	38
DF60429V24H	24	0.30	7.20	1400	0.07	1.7	156	4.4	38

## AIR PERFORMANCE



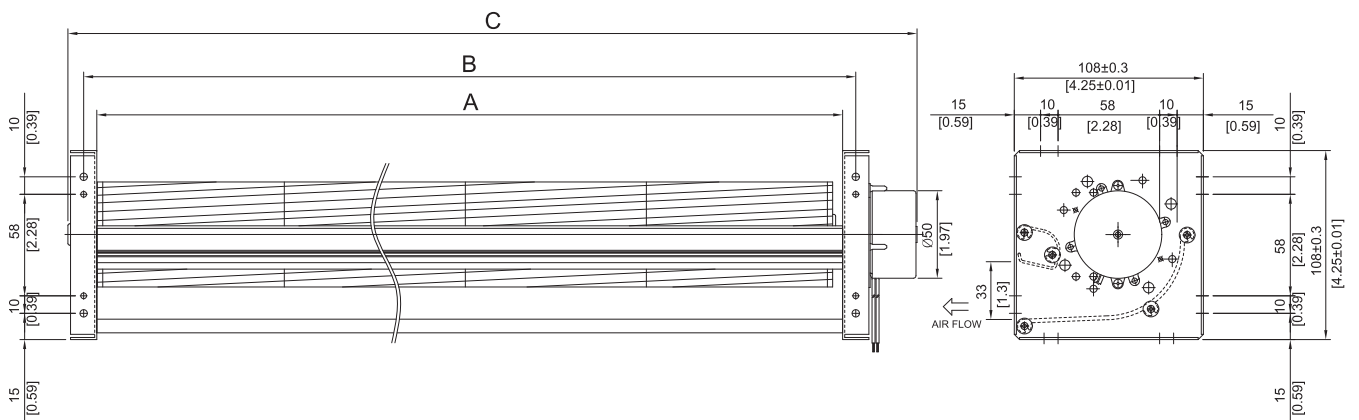
# DFA 60



HOUSING  
IMPELLER  
BEARING  
OPERATING TEMPERATURE  
INSULATION RESISTANCE  
DIELECTRIC STRENGTH  
ROHS COMPLIANCE  
MOTOR TYPE

Metal / Aluminum  
Aluminum,  $\varnothing 60$  mm  
Ball  
0°C to + 45°C  
10M Ohms Min. @500 VDC  
5mA Max.at 500VAC for 1 minute  
Yes  
DC Brushless Motor

## DIMENSION



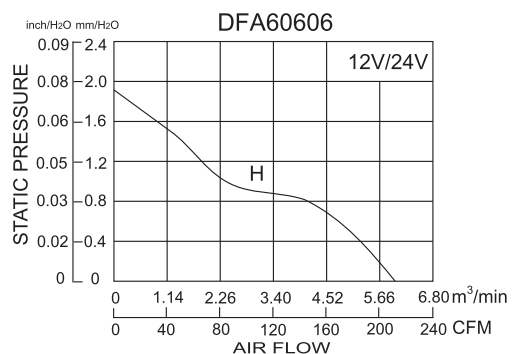
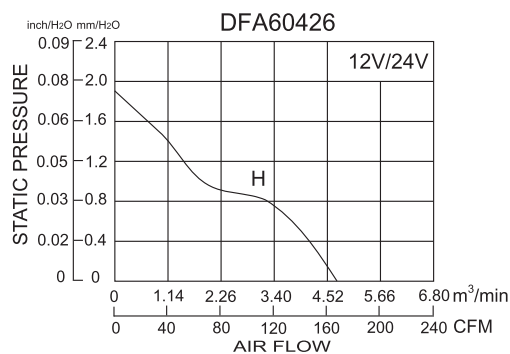
MODEL NO.	DIMENSION(mm)			WEIGHT (g)
	A	B	C	
DFA60426	426	443	485	1200
DFA60606	606	623	665	1500

UNIT:mm[inch]

## SPECIFICATION

MODEL NO.	RATED VOLTAGE (V)	RATED CURRENT (A)	INPUT POWER (W)	SPEED (RPM)	MAX. AIR PRESSURE		MAX. AIR FLOW		NOISE dB(A)@ 1M
					inchH <sub>2</sub> O	mmH <sub>2</sub> O	CFM	m <sup>3</sup> /min	
DF60426V12H	12	0.70	8.4	1300	0.07	1.9	166	4.7	37
DF60426V24H	24	0.35	8.4	1300	0.07	1.9	166	4.7	37
DF60606V12H	12	0.80	9.6	1200	0.07	1.9	212	6.0	35
DF60606V24H	24	0.40	9.6	1200	0.07	1.9	212	6.0	35

## AIR PERFORMANCE

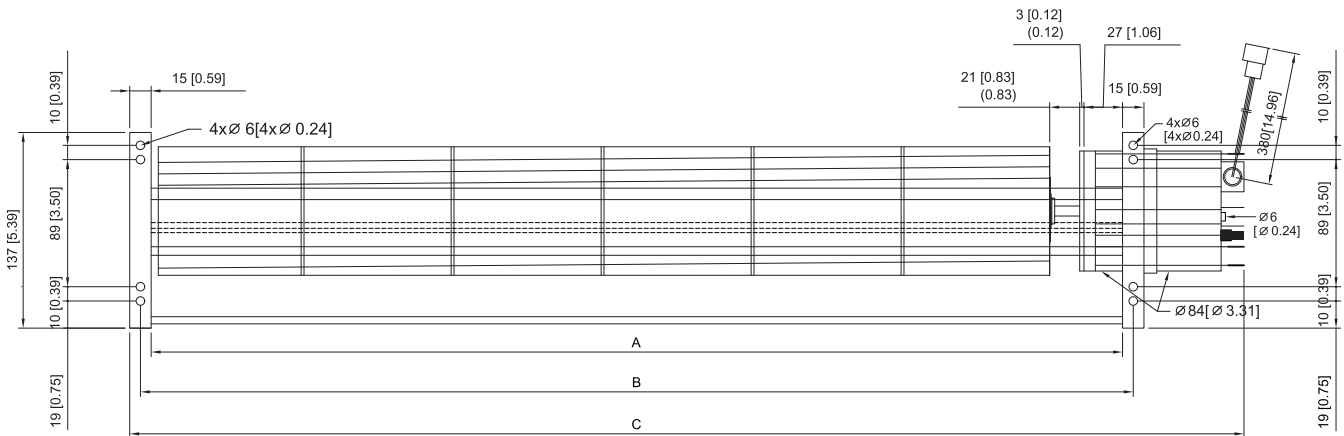


# DF 90

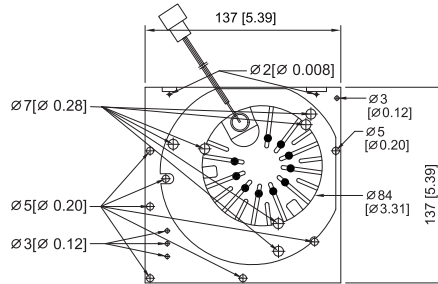


HOUSING	Metal / Aluminum
IMPELLER	Aluminum, Ø90 mm
BEARING	Ball
OPERATING TEMPERATURE	0°C to + 45°C
INSULATION RESISTANCE	10M Ohms Min. @500 VDC
DIELECTRIC STRENGTH	5mA Max.at 500VAC for 1 minute
ROHS COMPLIANCE	Yes
MOTOR TYPE	DC Brushless Motor

## DIMENSION



AC / DC Cross Flow Fan



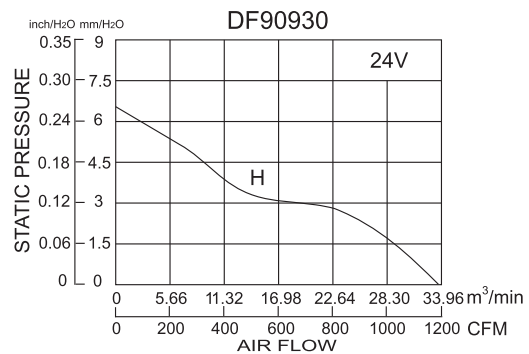
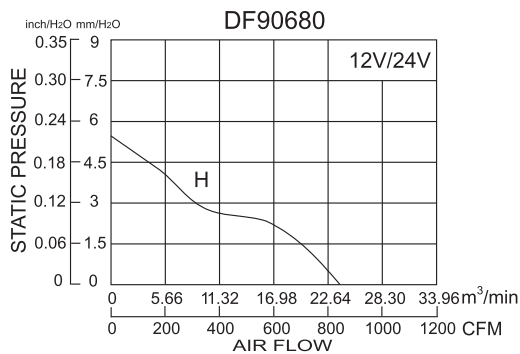
MODEL NO.	DIMENSION(mm)			WEIGHT (g)
	A	B	C	
DF90680	680	710	793	4000
DF90930	930	960	1043	4000

UNIT:mm[inch]

## SPECIFICATION

MODEL NO.	RATED VOLTAGE(V)	RATED CURRENT(A)	INPUT POWER (W)	SPEED (RPM)	MAX. AIR PRESSURE		MAX. AIR FLOW		NOISE dB(A)@ 1M
					inchH <sub>2</sub> O	mmH <sub>2</sub> O	CFM	m <sup>3</sup> /min	
DF90680V12H	12	4.3	51.6	1950	0.22	5.5	824	23.3	56
DF90680V24H	24	2.1	50.4	1950	0.22	5.5	824	23.3	56
DF90930V24H	24	5.6	134.4	1950	0.26	6.5	1178	33.3	57

## AIR PERFORMANCE

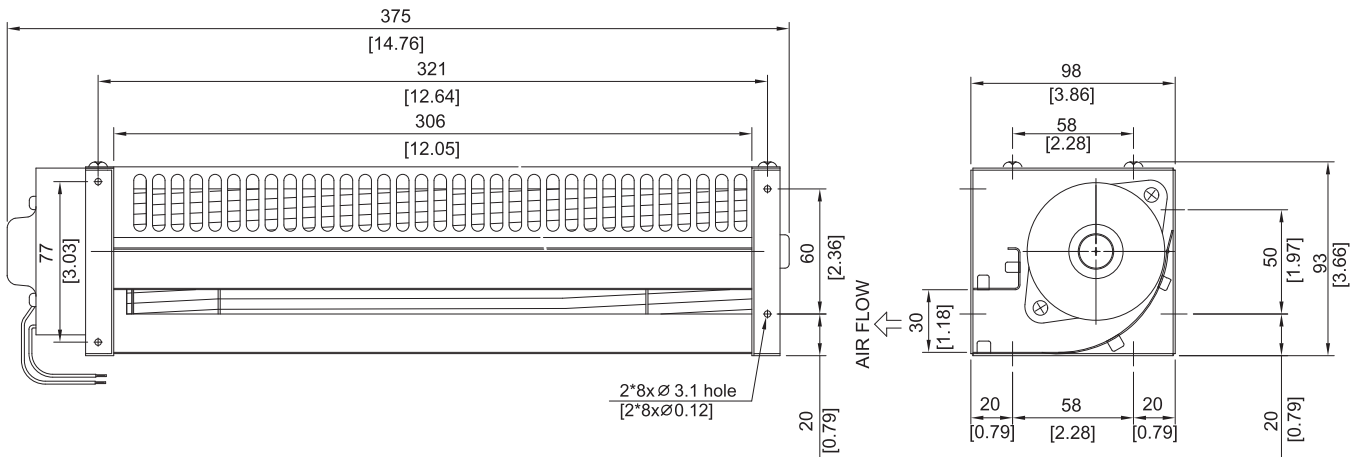


# DFB 60



HOUSING	Metal / Aluminum
IMPELLER	Aluminum, Ø60 mm
BEARING	Ball
OPERATING TEMPERATURE	0°C to + 45°C
INSULATION RESISTANCE	10M Ohms Min. @500 VDC
DIELECTRIC STRENGTH	5mA Max.at 500VAC for 1 minute
WEIGHT	1.4kg
ROHS COMPLIANCE	Yes
MOTOR TYPE	DC Brushless Motor

## DIMENSION

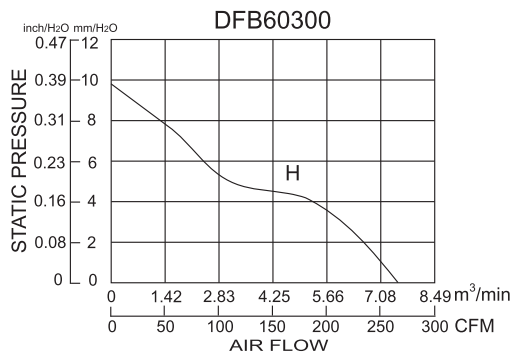


UNIT:mm[inch]

## SPECIFICATION

MODEL NO.	RATED VOLTAGE (V)	RATED CURRENT (A)	INPUT POWER (W)	SPEED (RPM)	MAX. AIR PRESSURE		MAX. AIR FLOW		NOISE dB(A)@ 1M
					inchH <sub>2</sub> O	mmH <sub>2</sub> O	CFM	m <sup>3</sup> /min	
DFB60300V24HS	24	2.3	55.2	3500	0.39	9.8	265	7.5	62
DFB60300V48HS	48	1.1	52.8	3500	0.39	9.8	265	7.5	62

## AIR PERFORMANCE



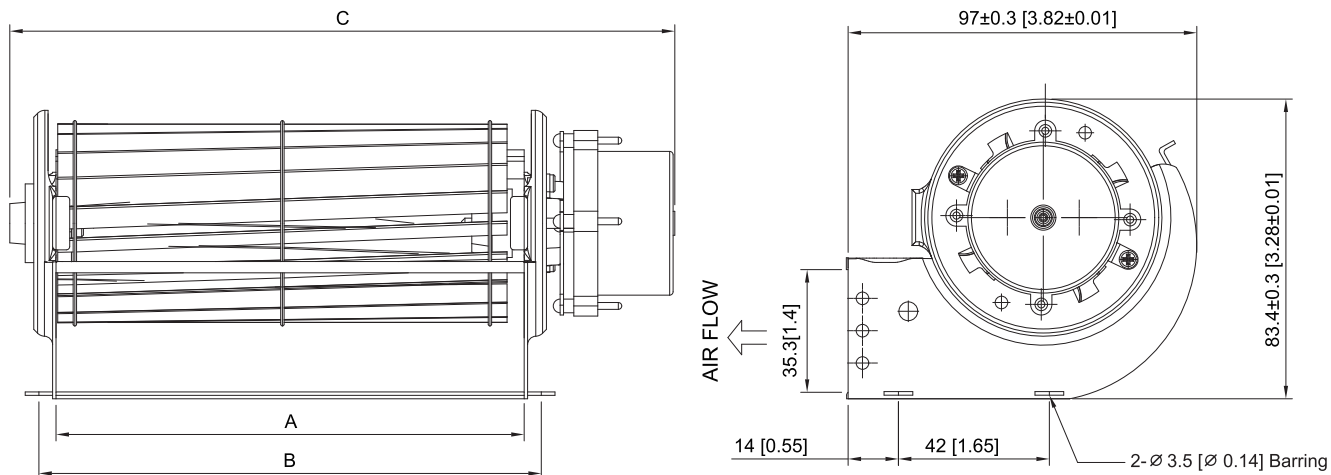
# DFG 60



HOUSING  
IMPELLER  
BEARING  
OPERATING TEMPERATURE  
INSULATION RESISTANCE  
DIELECTRIC STRENGTH  
ROHS COMPLIANCE  
MOTOR TYPE

Metal / Aluminum  
Aluminum, Ø60 mm  
Ball  
0°C to + 45°C  
10M Ohms Min. @500 VDC  
5mA Max. at 500VAC for 1 minute  
Yes  
DC Brushless Motor

## DIMENSION



MODEL NO.	DIMENSION(mm)			WEIGHT (g)
	A	B	C	
DFG60120	120	130	185	520
DFG60180	180	190	245	610
DFG60240	240	250	305	690
DFG60300	300	310	365	780
DFG60360	360	370	425	860

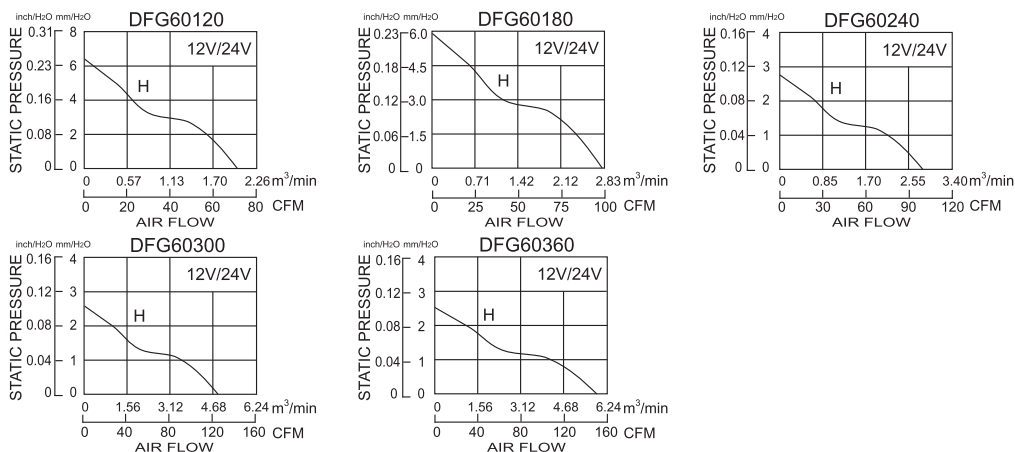
UNIT:mm[inch]

AC / DC Cross Flow Fan

## SPECIFICATION

MODEL NO.	RATED VOLTAGE (V)	RATED CURRENT (A)	INPUT POWER (W)	SPEED (RPM)	MAX. AIR PRESSURE		MAX. AIR FLOW		NOISE dB(A)@ 1M
					inchH <sub>2</sub> O	mmH <sub>2</sub> O	CFM	m <sup>3</sup> /min	
DFG60120V12H	12	0.65	7.8	2500	0.25	6.3	71	2.0	49
DFG60120V24H	24	0.40	9.6	2500	0.25	6.3	71	2.0	49
DFG60180V12H	12	0.95	11.4	2200	0.23	5.9	99	2.8	50
DFG60180V24H	24	0.50	12.0	2200	0.11	5.9	99	2.8	50
DFG60240V12H	12	0.50	6.0	1600	0.11	2.8	102	2.9	42
DFG60240V24H	24	0.25	6.0	1600	0.10	2.8	102	2.9	42
DFG60300V12H	12	0.60	7.2	1500	0.10	2.6	124	3.5	43
DFG60300V24H	24	0.30	7.2	1500	0.10	2.6	124	3.5	43
DFG60360V12H	12	0.65	7.8	1400	0.10	2.5	149	4.2	42
DFG60360V24H	24	0.35	8.4	1400	0.10	2.5	149	4.2	42

## AIR PERFORMANCE





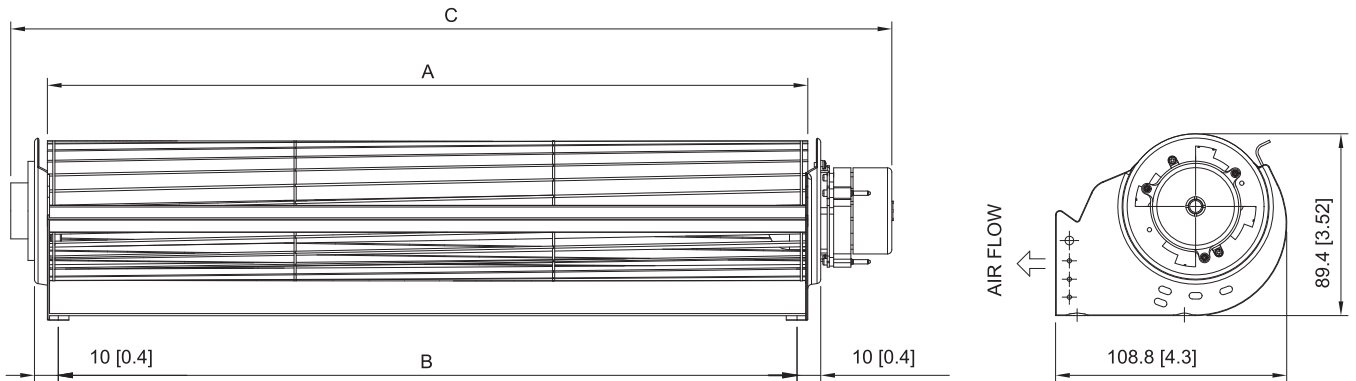
# DFG 65



HOUSING  
IMPELLER  
BEARING  
OPERATING TEMPERATURE  
INSULATION RESISTANCE  
DIELECTRIC STRENGTH  
ROHS COMPLIANCE  
MOTOR TYPE

Metal / Aluminum  
Aluminum, Ø65 mm  
Ball  
0°C to + 45°C  
10M Ohms Min. @500 VDC  
5mA Max.at 500VAC for 1 minute  
Yes  
DC Brushless Motor

## DIMENSION



MODEL NO.	DIMENSION(mm)			WEIGHT (g)
	A	B	C	
DFG65120	120	112	185	560
DFG65180	180	172	245	650
DFG65240	240	232	305	740
DFG65300	300	292	365	830
DFG65360	360	352	425	920
DFG65420	420	412	485	1000

UNIT:mm[inch]

## SPECIFICATION

MODEL NO.	RATED VOLTAGE(V)	RATED CURRENT(A)	INPUT POWER (W)	SPEED (RPM)	MAX. AIR PRESSURE		MAX. AIR FLOW		NOISE dB(A)@ 1M
					inchH <sub>2</sub> O	mmH <sub>2</sub> O	CFM	m <sup>3</sup> /min	
DFG65120V12H	12	0.80	9.6	2200	0.32	8.2	81	2.3	48
DFG65120V24H	24	0.45	10.8	2200	0.32	8.2	81	2.3	48
DFG65180V12H	12	0.55	6.6	1500	0.15	3.8	95	2.7	38
DFG65180V24H	24	0.25	6.0	1500	0.15	3.8	95	2.7	38
DFG65240V12H	12	0.70	8.4	1400	0.14	3.5	124	3.5	40
DFG65240V24H	24	0.30	7.2	1400	0.14	3.5	124	3.5	40
DFG65300V12H	12	0.75	9.0	1300	0.12	3.1	145	4.1	40
DFG65300V24H	24	0.35	8.4	1300	0.12	3.1	145	4.1	40
DFG65360V12H	12	0.80	9.6	1200	0.11	2.9	166	4.7	40
DFG65360V24H	24	0.40	9.6	1200	0.11	2.9	166	4.7	40
DFG65420V12H	12	0.85	10.2	1100	0.11	2.7	191	5.4	41
DFG65420V24H	24	0.40	9.6	1100	0.11	2.7	191	5.4	41

## AIR PERFORMANCE

