

# SYMBANG Sirocco Fan Blower

www.activa.com.tw



**AB13263**

132x138x124.1mm (5.2"x5.52"x4.96")



**AB411146**

411x146x86mm (16.2"x5.75"x3.39")

## PART NUMBER CODE

AB	132	63	V1	H	B	T
FAN TYPE	FRAME SIZE		VOLTAGE	SPEED	BEARING	TERMINATION
AB: AC BLOWER	Length of case (measure from blow side)	Thickness	V1(AC 110-120V) V2(AC 220-240V)	H: High M: Medium L : Low	B: Ball S: Sleeve	L: Lead Wires

# AB 13263



132x138x124.1mm  
(5.2"x5.52"x4.96")

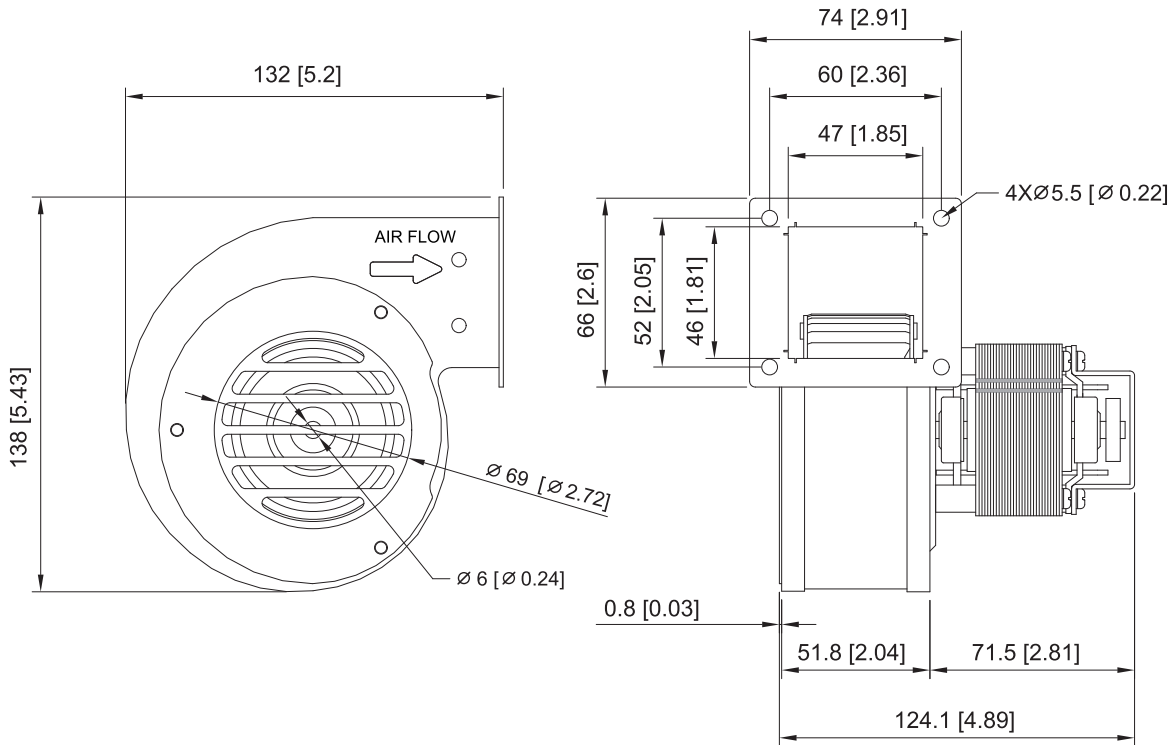


HOUSING	Steel
IMPELLER	Aluminum
BEARING	Ball
TERMINATION	Lead Wire
OPERATING TEMPERATURE	0°C to +55°C
INSULATION RESISTANCE	10M Ohms Min. @500VDC
DIELECTRIC STRENGTH	3mA Max. at 1500 VAC for 1 minute
WEIGHT	1.4KG
ROHS COMPLIANCE	YES
MOTOR TYPE	Shaded Pole Motor
ADDITIONAL FUNCTION	FG

# 132mm

132mm

## DIMENSION

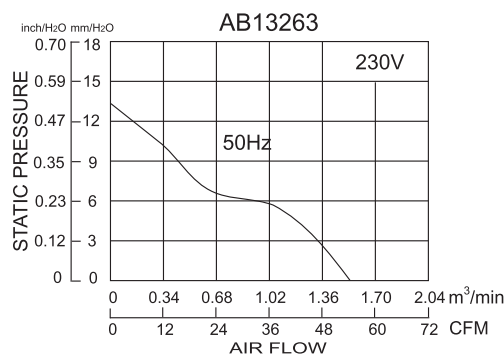


UNIT:mm[inch]

## SPECIFICATION

MODEL NO.	RATED VOLTAGE (V)	FREQUENCY (Hz)	RATED CURRENT (A)	INPUT POWER (W)	SPEED (RPM)	MAX. AIR PRESSURE inchH <sub>2</sub> O mmH <sub>2</sub> O	MAX. AIR FLOW CFM m <sup>3</sup> /min	NOISE dB(A)@ 1M
AB13263V2HB	230	50	0.4	45	2650	0.53 13.4	54 1.54	

## AIR PERFORMANCE



# AB

# 41146



411x146x86mm  
(16.2"x5.75"x3.39")

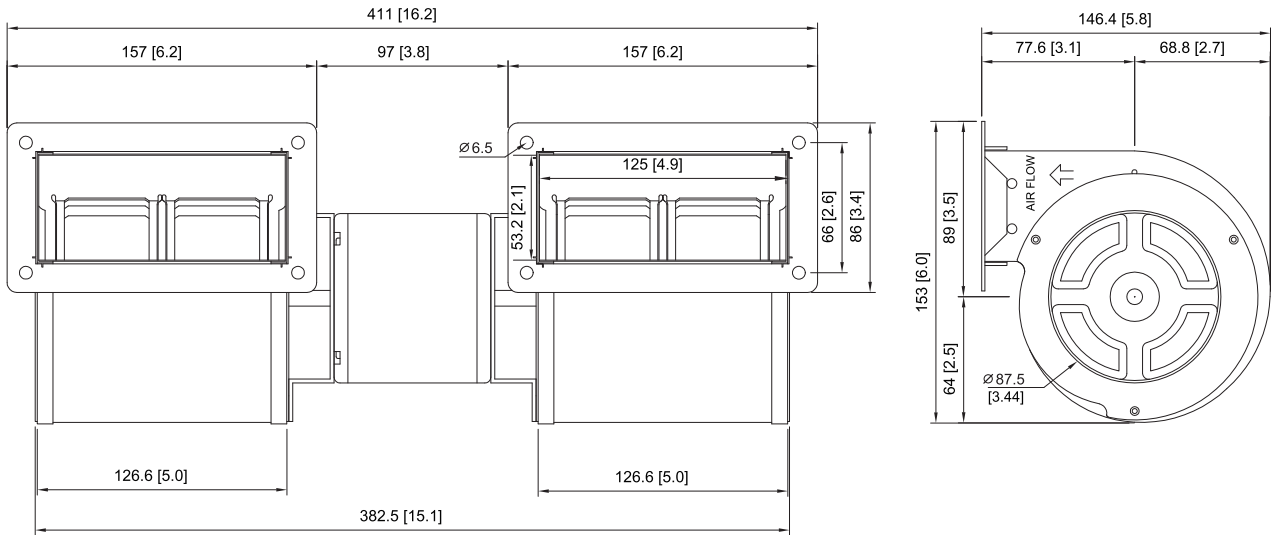


HOUSING	Steel
IMPELLER	Aluminum
BEARING	Ball
TERMINATION	Lead Wire
OPERATING TEMPERATURE	0°C to +55°C
INSULATION RESISTANCE	10M Ohms Min.@500VDC
DIELECTRIC STRENGTH	3mA Max. at 1500 VAC for 1 minute
WEIGHT	3.2KG
ROHS COMPLIANCE	YES
MOTOR TYPE	Shaded Pole Motor

# 411 mm

411mm

## DIMENSION



UNIT:mm[inch]

## SPECIFICATION

MODEL NO.	RATED VOLTAGE (V)	FREQUENCY (Hz)	RATED CURRENT (A)	INPUT POWER (W)	SPEED (RPM)	MAX. AIR PRESSURE inchH <sub>2</sub> O mmH <sub>2</sub> O	MAX.AIR FLOW CFM m <sup>3</sup> /min	NOISE dB(A)@ 1M
AB411146V1HBL	110	60	0.44	25	1655	0.33 8.3	240 6.86	
AB411146V2HBL	220	60	0.22	25	1655	0.33 8.3	240 6.86	

## AIR PERFORMANCE

