

CC8020



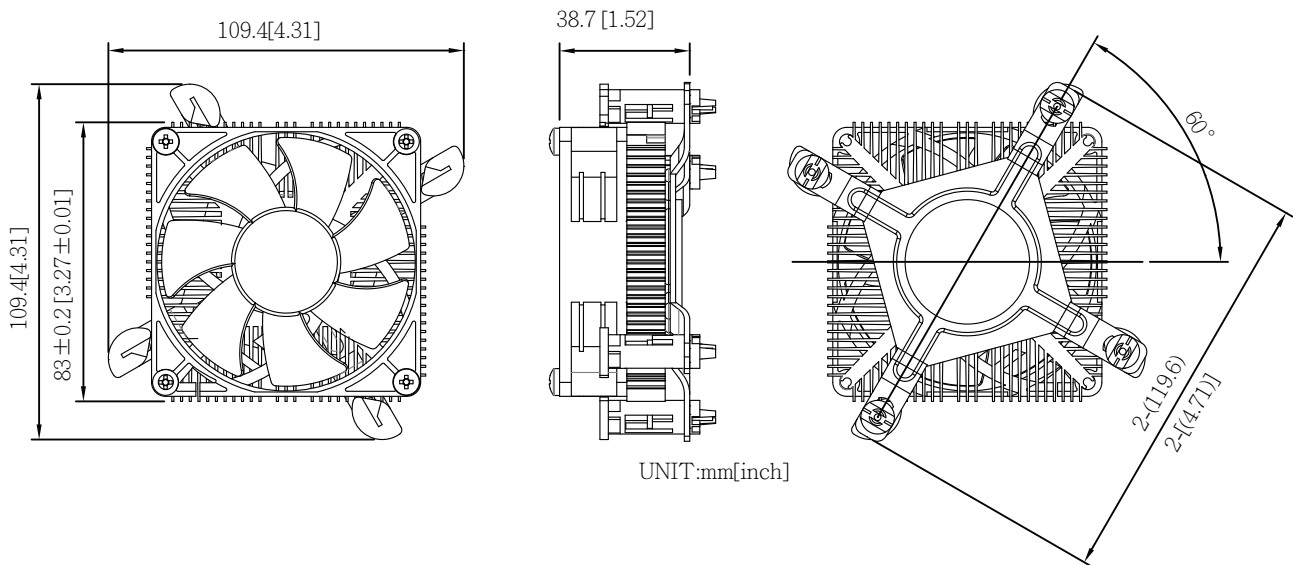
109.4x109.4x38.7mm
(4.26"x4.26"x1.50")



Applied for
Cooler Size
Fan Size
Bearing type
Heat Sink Type
Weight

Intel 1156 pin processors
109.4x109.4x38.7 (mm)
80x80x20 (mm)
2 Ball Bearings
Aluminum Alloy Extrusion
290g

DIMENSION



SPECIFICATION

MODEL NO.	RATED VOLTAGE (V)	RATED CURRENT (A)	INPUT POWER (W)	SPEED (RPM)	MAX. AIR PRESSURE		MAX. AIR FLOW		NOISE dB(A) @1M
					inchH ₂ O	mmH ₂ O	CFM	m ³ /min	
CC8020V12	12	0.17	2.04	3700	0.18	4.72	40.49	1.14	36.1