

CC9027

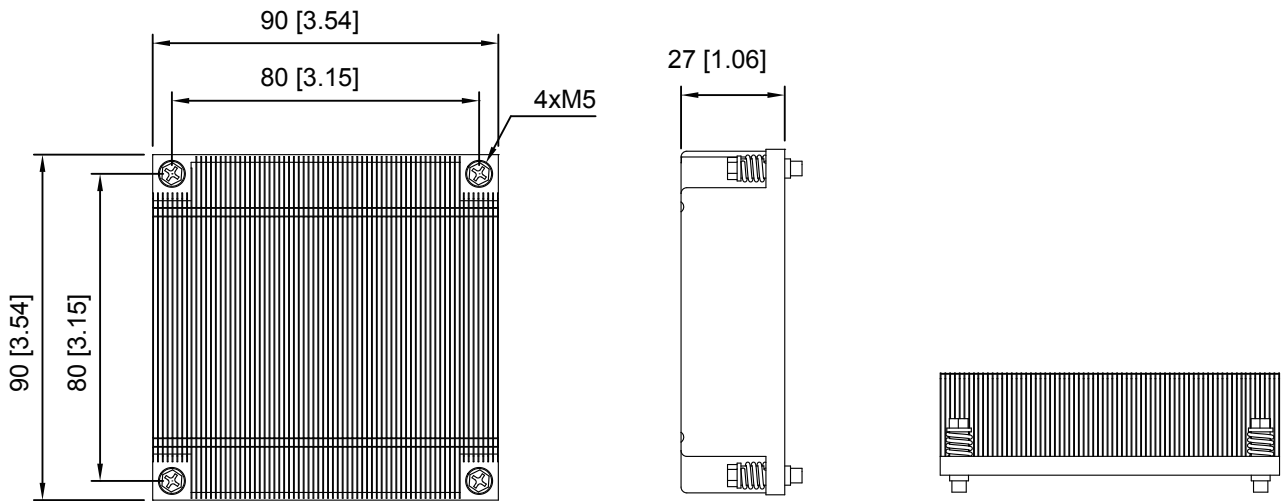


90x90x27mm
(3.51"x3.51"x1.05)



Applied for	Intel LGA 1366 1U CPU Cooler
Cooler Size	90x90x27 (mm)
Thermal Interface Material	Shin Etsu X-23-7783D
Product Description	Al Stacked Fin & Cu/Al Complex Base & Heatpipe*2
Fasteners	M3 Screw & Spring
Weight	290g
Thermal Resistance	0.309 C/W in 9.7CFM

DIMENSION



UNIT:mm[inch]