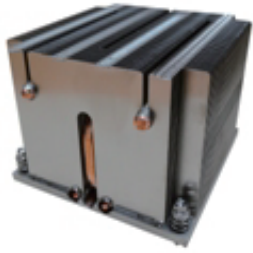


CC9064

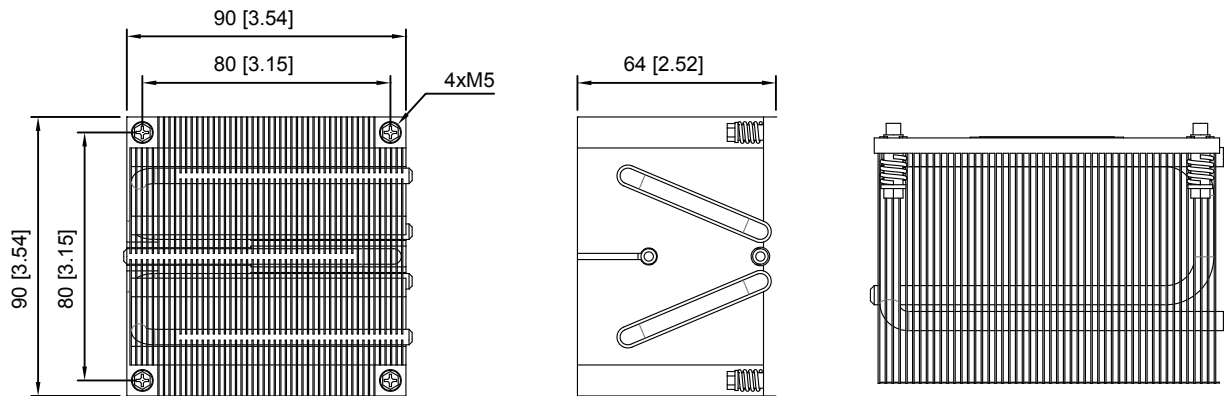


90x90x64mm
(3.51"x3.51"x2.49")



Applied for	Intel LGA 1366 2U CPU Cooler
Cooler Size	90x90x64 mm
Thermal Interface Material	Shin Etsu X-23-7783D
Product Description	Al Stacked Fin & Cu/Al Complex Base & Heatpipe*3
Fasteners	M3 Screw & Spring
Weight	430g
Thermal Resistance	0.192 C/W in 30 CFM

DIMENSION



UNIT:mm[inch]