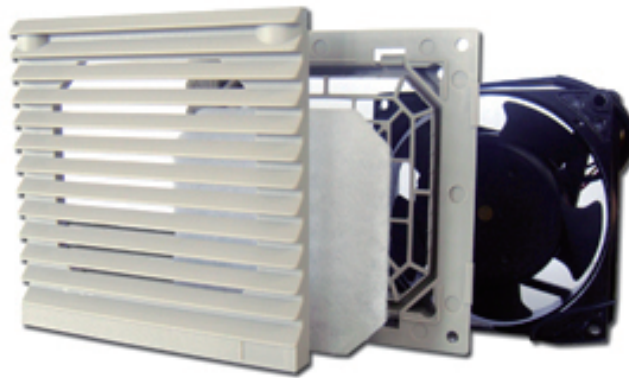
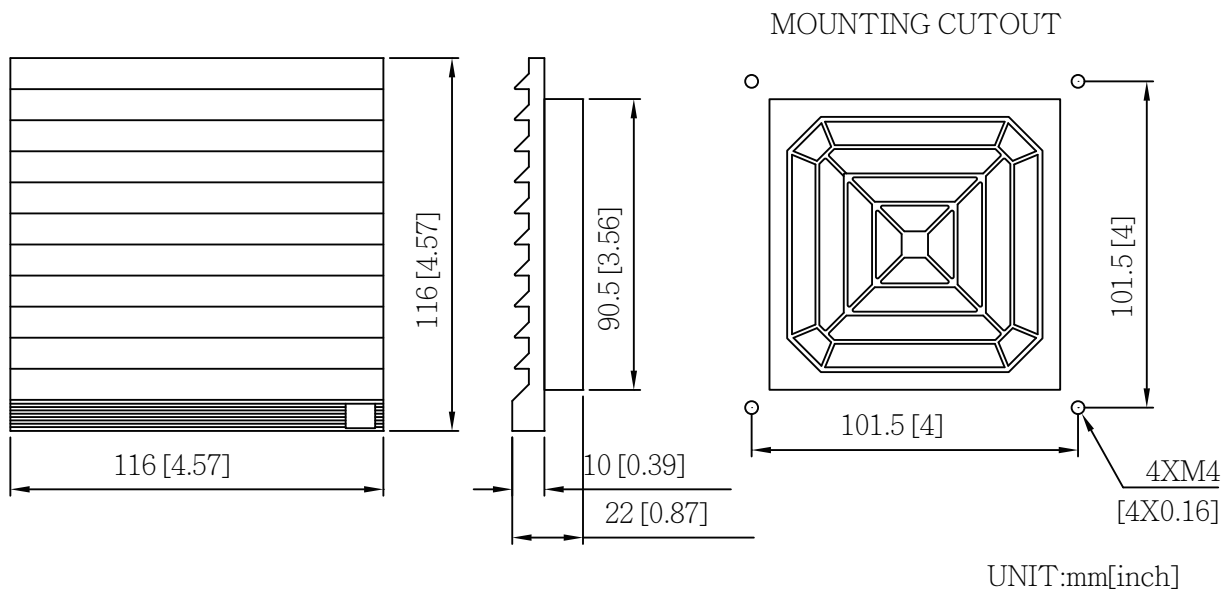


Ventilator Filter Unit FU 92-B



DIMENSION



SPECIFICATION

MODEL	FU92-B
DIMENSION	116x116x22mm
FILTER CASING MATERIAL	Plastic, self-extinguishing UL94V-0, UV-Resistance
FILTER MATERIAL	Nylon fiber synthrtic resin
PRESSURE LOSS	Initial period 6.7 mmH2O, Final stage 20mmH2O
WEIGHT	107g
COMPATIBLE FAN SIZE(mm)	92x92x25; 92x92x38