

ACB

208~226

MOTORIZED IMPELLER



Ø120x62, Ø160x62 (Ø4.72"x2.44", Ø6.30"x2.44")

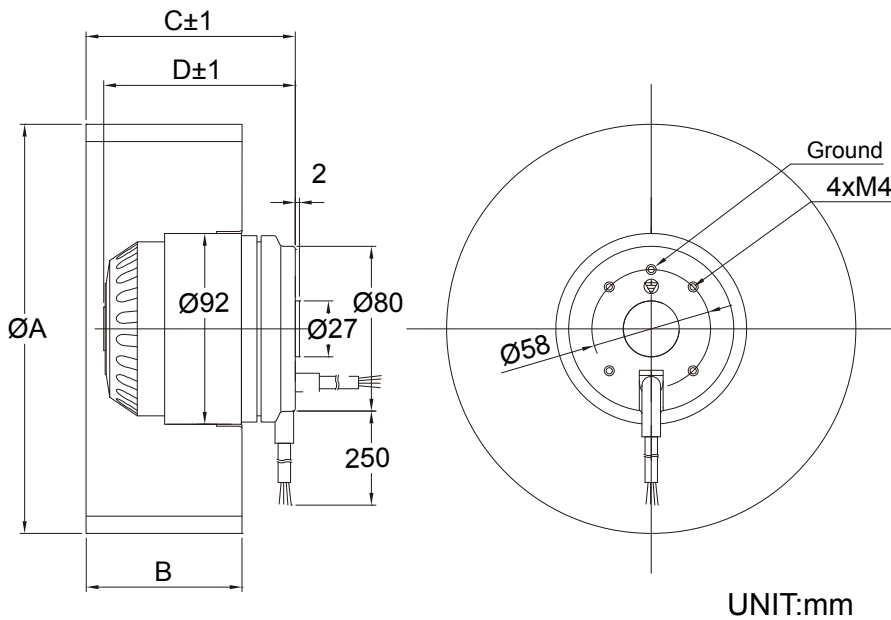


MOTOR	Outer rotor motor Ø92mm
IMPELLER	Steel
BEARING	Ball
INSULATION	Class F
OPERATING TEMPERATURE	0°C to + 65°C
DIELECTRIC STRENGTH	5mA Max. at 1500 VAC for 1 second
INSULATION RESISTANCE	10M Ω min. @500 VDC
SAFETY	Thermally Protected
WEIGHT	2.7 Kg
ROHS COMPLIANCE	Yes
IP LEV	IP44 (Special IP Rating On Request)

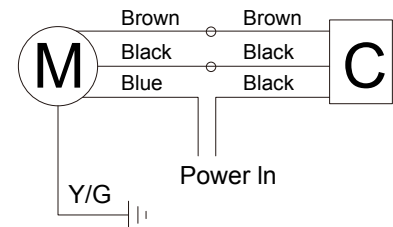
208-226 mm

208-226 mm

DIMENSION



WIRE DIAGRAM



M : Motor
C : Capacitor
Y/G : Yellow and Green

MODEL NO.	CAPACITOR uF/Vac
ACB208120V1H2PF	12/250
ACB208120V2H2PF	3/450
ACB226130V1H2PF	30/250
ACB208130V1M2PF	25/250
ACB208130V1L2PF	16/250
ACB208130V1H4PF	8/250
ACB208130V1M2PF	8/450
ACB208130V1L2PF	6/450
ACB208130V1H4PF	4/450
ACB208130V1H4PF	2/450

SIZE (mm)	DIMENSION(mm)				WEIGHT (Kg)	MODEL NO.
	A	B	C	D		
Ø120X62	120	62	85	63	2.3	ACB208120F-2P
Ø160X62	160	62	72	91	4.2	ACB226130HF-2P
Ø160X62	160	62	72	72	4.2	ACB226130MF-2P
Ø160X62	160	62	72	68	2.9	ACB226130LF-2P
Ø160X62	160	62	72	91	4.2	ACB226130HF-4P

SPECIFICATION

MODEL NO.	RATED VOLTAGE (V)	FREQUENCY (Hz)	RATED CURRENT (A)	INPUT POWER (W)	SPEED (RPM)
ACB208120V1H2PF	110	60	0.94	103	2010
ACB208120V2H2PF	220	50/60	0.34/0.47	74/102	2100/2080
ACB226130V1H2PF	110	60	2.6	283	2200
ACB226130V1M2PF	110	60	2.11	231	2060
ACB226130V1L2PF	110	60	1.62	212	1980
ACB226130V1H4PF	110	60	0.47	84.9	1400
ACB226130V2H2PF	220	50/60	0.92/1.30	196/283	2190/2200
ACB226130V2M2PF	220	50/60	0.78/1.06	171/231	2140/2060
ACB226130V2L2PF	220	50/60	0.60/0.81	158/212	2075/1980
ACB226130V2H4PF	220	50/60	0.26/0.37	58/58	1300/1400