

DM

2232

Ø22x32mm(Ø0.87"x1.26")

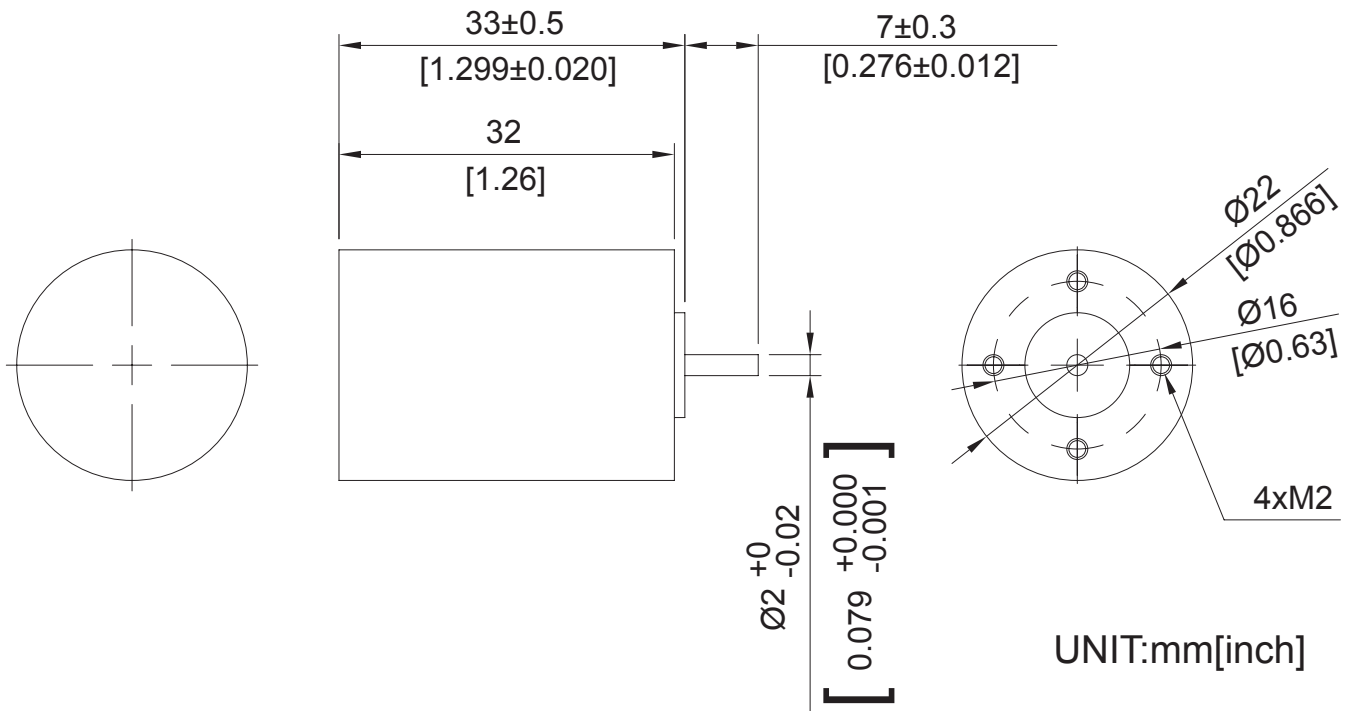


MOTOR TYPE Brushless Motor
BEARING Ball Bearing
OPERATING TEMPERATURE -20°C to + 70°C
DIELECTRIC STRENGTH 5mA Max. at 500 VAC for 1 second
INSULATION RESISTANCE 10M Ω min. @500 VDC
TERMINATION Lead Wire or Terminal
WEIGHT 50g

22_{mm}

22 mm

DIMENSION



SPECIFICATION

MODEL NO.	RATED VOLTAGE (V)	RATED CURRENT (A)	OUTPUT POWER (W)	SPEED (RPM)	NOISE dB(A) @1M
DM2232V24HB	24	0.09	5.95	15540	-