

DM 3527

Ø35x27mm(Ø1.38"x1.07")

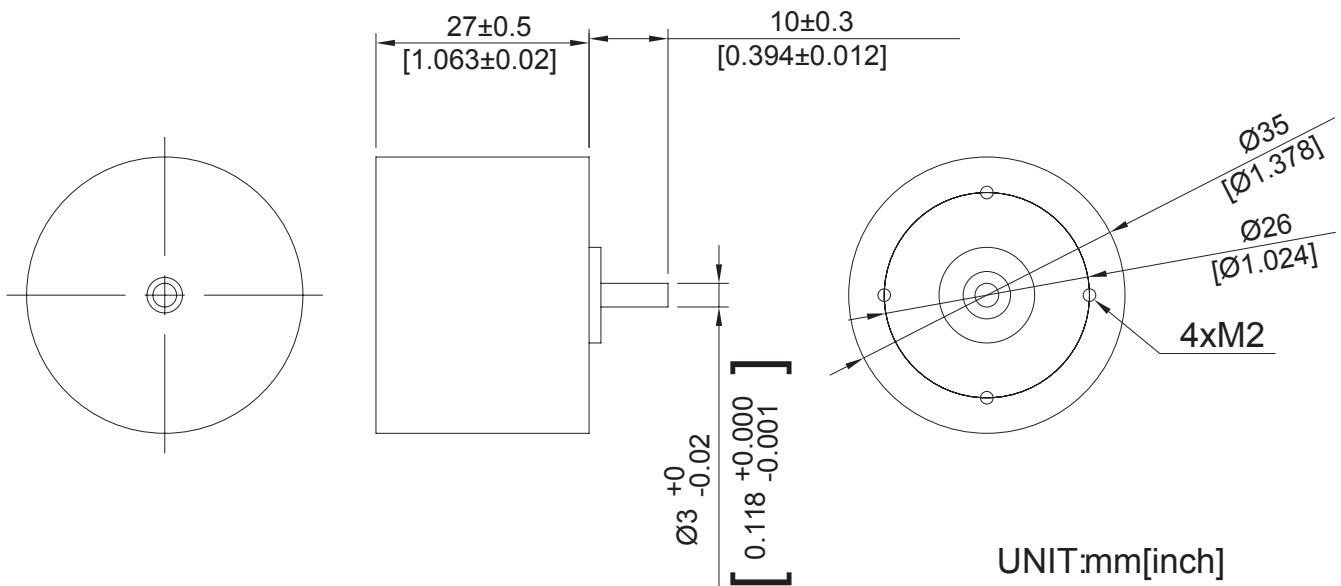


MOTOR TYPE	Brushless Motor
BEARING	Ball Bearing
OPERATING TEMPERATURE	-20°C to + 70°C
DIELECTRIC STRENGTH	5mA Max. at 500 VAC for 1 second
INSULATION RESISTANCE	10M Ω min. @500 VDC
TERMINATION	Lead Wire or Terminal
WEIGHT	110 g

35 mm

35 mm

DIMENSION



SPECIFICATION

MODEL NO.	RATED VOLTAGE (V)	RATED CURRENT (A)	OUTPUT POWER (W)	SPEED (RPM)	NOISE dB(A) @1M
DM3527V12LB	12	0.07	3.64	3400	-