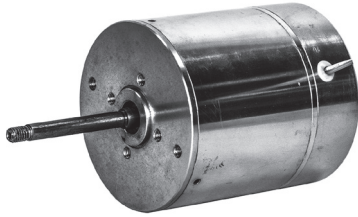


# DM 7584 Ø75X84mm(Ø2.96"x3.31")

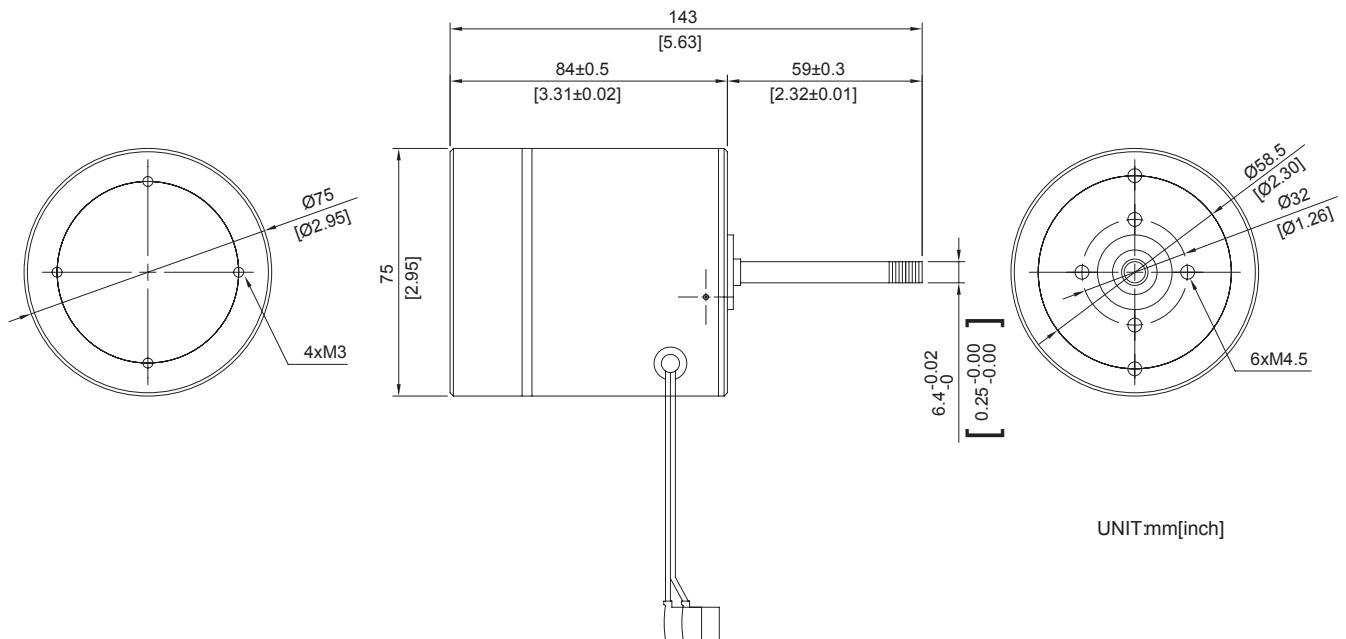


**MOTOR TYPE** Brushless Motor  
**BEARING** Ball  
**OPERATING TEMPERATURE** -20°C to + 70°C  
**DIELECTRIC STRENGTH** 5mA Max. at 500 VAC for 1 second  
**INSULATION RESISTANCE** 10M Ω min. @500 VDC  
**TERMINATION** Lead Wire or Terminal  
**WEIGHT** 1.3 Kg

# 75 mm

75 mm

## DIMENSION



## SPECIFICATION

MODEL NO.	RATED VOLTAGE (V)	RATED CURRENT (A)	OUTPUT POWER (W)	SPEED (RPM)	NOISE dB(A) @1M
DM7584V24MB2	24	0.44	63.39	5880	-