

# DM 1004

Ø10x4mm(Ø0.39"x0.15")

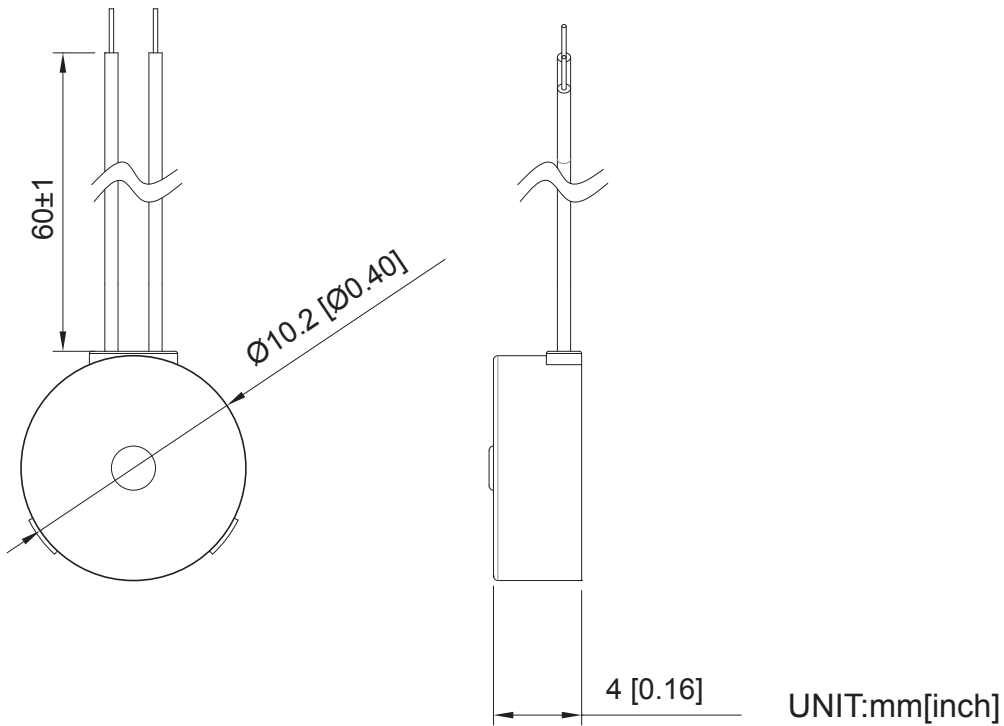


MOTOR TYPE	Mini Brushless Vibration Motor
BEARING	Sleeve
OPERATING TEMPERATURE	-20°C to + 70°C
VIBRATION INTENSITY	5~11.8 m/s <sup>2</sup> Max.
DIELECTRIC STRENGTH	5mA Max. at 500 VAC for 1 second
INSULATION RESISTANCE	10M Ω min. @500 VDC
TERMINATION	Lead Wire
WEIGHT	1.1 g
IP LEVEL	IP21 (Special IP Rating On Request)

# 10 mm

10 mm

## DIMENSION



## SPECIFICATION

MODEL NO.	RATED VOLTAGE (V)	RATED CURRENT (A)	INPUT POWER (W)	SPEED (RPM)	NOISE dB(A) @1M
DM1004V3HS	3	0.048	0.144	7000~9000	-